

 EverSewn Sparrow X

Instruction Manual

SEWING+EMBROIDERY **COMBO**

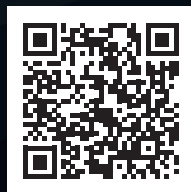


Complete instruction manual
can be found on DVD/APP



EverSewn Pro

Start your embroidery design !



ANDROID APP ON
Google play



Download on the
App Store

Contents

Machine Introduction	2
Principal parts of the machine	2
Accessories	3
Standard	3
Optional	3
Connecting machine to power source	4
Polarized plug information	4
Foot control (In sewing mode).....	4
Display instruction	5
Screen	5
Status Indicator	7
Machine Setup	8
Winding the bobbin	8
Inserting the bobbin	10
Threading the upper thread	11
Replacing the needle	14
Matching needle/fabric/thread	15
Changing the presser foot	16
Remove the presser foot.....	16
Attach the presser foot.....	16
Remove and insert the presser foot holder.....	16
Insert the edge/quilting guide.....	16
Replacing the needle plate	17
To raise or drop the feed dogs	18
Adjusting the presser foot pressure	18
Thread tension	19
Instruction	20
Operation buttons.....	20
Selecting stitch	22
Altering the stitch length & width	23
Altering the stitch length.....	23
Altering the stitch width.....	23
Starting to sew	24

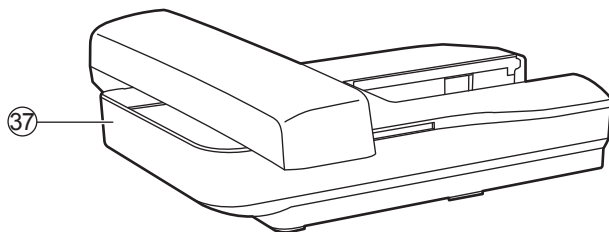
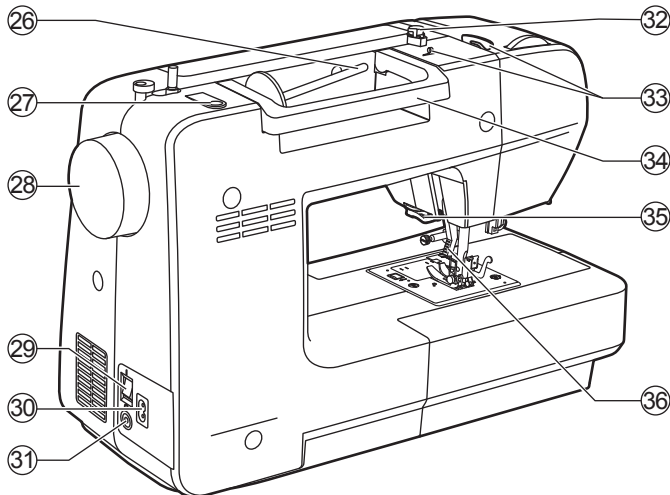
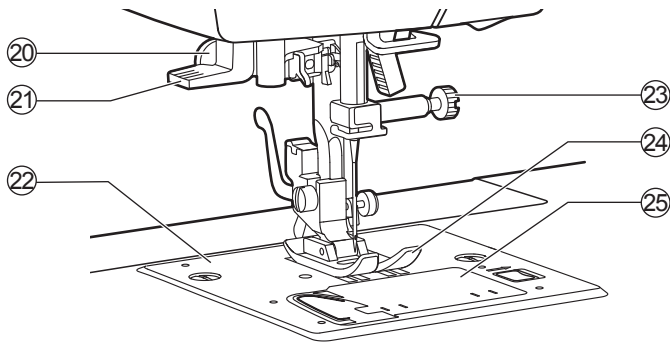
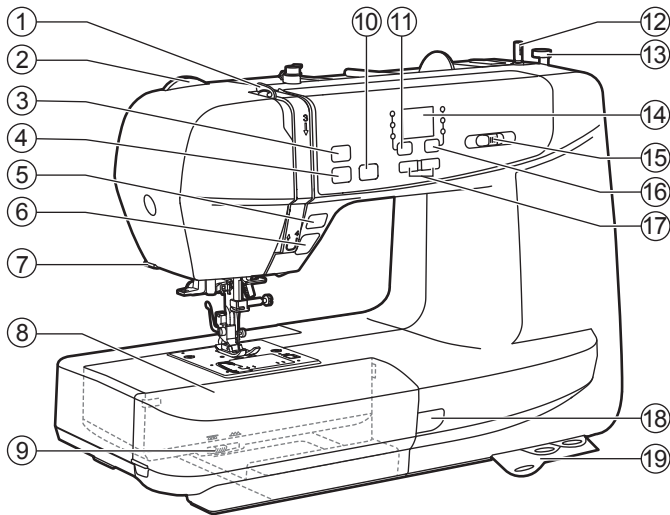


Embroidery Preparation	26
Embroidery quick guide	26
Important embroidery information	28
Embroidery threads.....	28
Bobbin threads	28
Stabilizer	29
Adhesive Spray	30
Iron-on interfacing.....	31
Embroidery unit overview	32
Embroidery hoop overview	33
Preparing the embroidery hoop	33
Attaching a stabilizer to the fabric.....	33
Hopping the fabric.....	34
Use the quick release device	35
Using embroidery sheet.....	36
Embroidery Process	38
Step 1. Preparation for embroidery	38
Step 2. Starting the connection	40
Embroidery software installation.....	40
Connection Mode A: Point-to-Point	40
Connection Mode B: Station (the first time to set up)	42
Connection Mode B: Station	43
Step 3. Import/edit embroidery pattern	44
Importing files on iOS	44
Importing files on Andriod.....	44
Location of imported files on App	44
Step 4. Install the embroidery hoop	45
Step 5. Begin to embroider	46
Load a Design after interruption	47
Adjust the thread tension	48
Step 6. Back to sewing mode	49
Remove embroidery hoop.....	49
Remove embroidery unit.....	49

Note

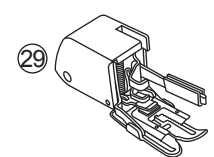
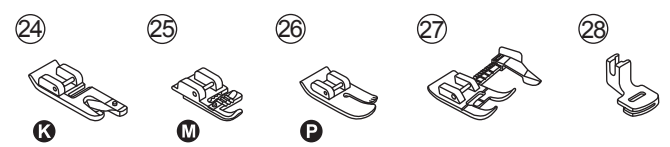
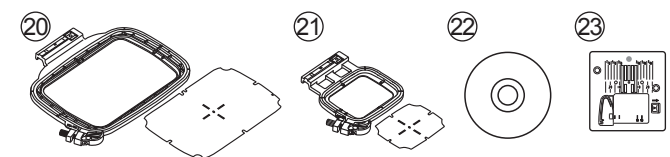
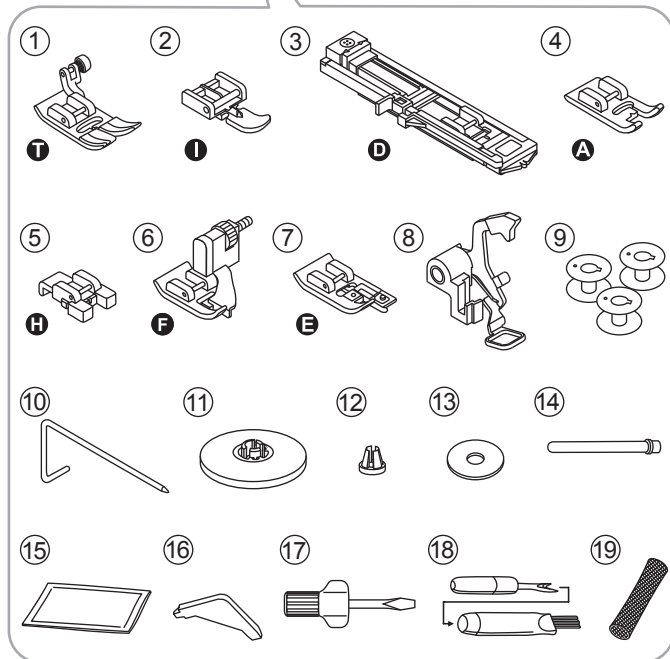
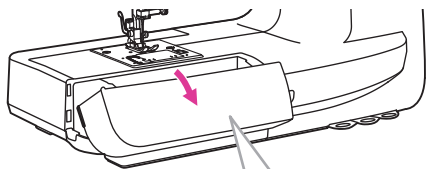
1. The above contents can be found on the digital version of the manual located on the DVD that was included with the machine or can be found in the APP.
2. App system requirement: support WiFi 802.11b/g/n(2.4G HZ).

Principal parts of the machine



1. Take-up lever
2. Presser foot pressure dial
3. Auto-lock button
4. Thread cutter button
5. Reverse button
6. Start/stop button
7. Thread cutter
8. Sewing table and accessory box
9. Drop feed lever
10. Needle up/down position button
11. Group switch button
12. Bobbin winder spindle
13. Bobbin winder stopper
14. Screen
15. Speed adjustment slider
16. Stitch adjustment button
17. Value setting buttons
18. Status indicator
19. Quick reference plate
20. Buttonhole lever
21. Needle threader
22. Needle plate
23. Needle clamp screw
24. Presser foot
25. Bobbin cover
26. Horizontal spool pin
27. Second spool pin hole
28. Handwheel
29. Main power switch
30. Power cord
31. Foot control connector
32. Bobbin thread guide
33. Upper thread guide
34. Handle
35. Thread cutter
36. Presser foot lifter
37. Embroidery unit

Accessories



Accessories are stored inside the accessory box.

❖ Standard

1. All purpose foot
2. Zipper foot
3. Buttonhole foot
4. Satin stitch foot
5. Button sewing foot
6. Blind hem foot
7. Overcasting foot
8. Darning/embroidery foot
9. Bobbin (3x)
10. Edge/quilting guide
11. Spool holder (Large)
12. Spool holder (Small)
13. Spool pin felt
14. Second spool pin
15. Pack of needles
16. L-screwdriver
17. Screwdriver
18. Seam ripper/brush
19. Thread net
20. Embroidery set (120*180mm)
21. Embroidery set (50*70mm)
22. DVD
23. Straight stitch plate

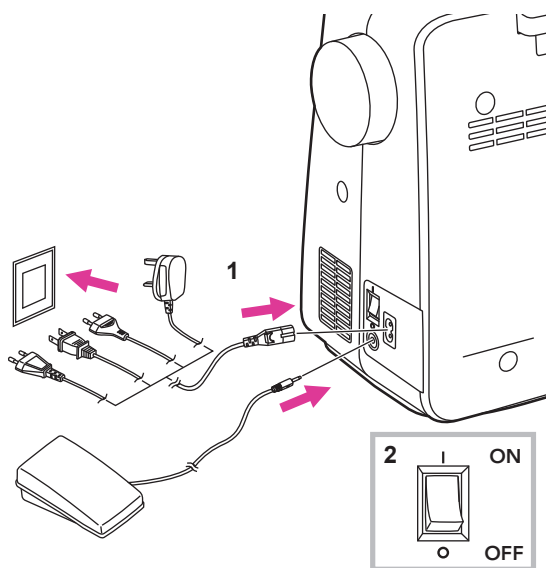
❖ Optional

24. Hemmer foot
25. Cording foot
26. Quilting foot
27. Adjustable guide foot
28. Gathering foot
29. Walking foot

Note

To purchase optional accessories, please consult your local dealer for further information.

Connecting machine to power source



⚠ Attention

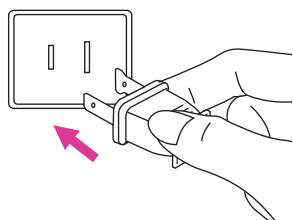
Always make sure that the machine is unplugged from power source and the main switch is off ("O"), when the machine is not in use and before inserting or removing parts.

Before connecting the power supply, make sure that the voltage shown on the rating plate is conforming with your main power.

Put the machine on a stable table.

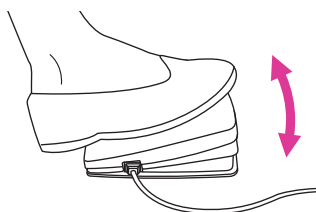
1. Connect the machine to a power source as illustrated.
2. Turn the power switch to on ("I").

The sewing lamp will light up when the switch is turned on.



❖ Polarized plug information

This appliance has a polarized plug (one blade is wider than the other), to reduce the risk of electrical shock; this plug will fit in a polarized outlet only one way. If the plug does not fit fully in the outlet, reverse the plug. If it still does not fit, contact a qualified electrician to install the proper outlet. Do not modify the plug in any way.



❖ Foot control (In sewing mode)

When the machine is off, insert the foot control plug into its connector on the machine.

Turn on the machine, and then slowly press down the foot control to start sewing. Release the foot control to stop the machine.

User can quickly kick one step on the foot control to change the needle position and set the stop position at the same time.

⚠ Attention

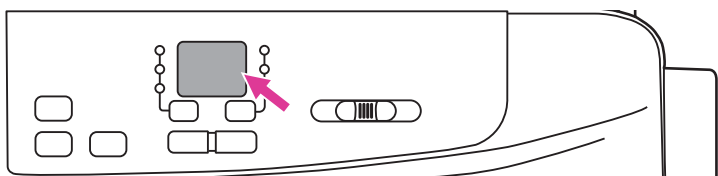
Foot control will be disabled in embroidery mode.

Note






Consult a qualified electrician if in doubt as to connect the machine to the power source.

Display instruction







❖ Screen



Operation mode

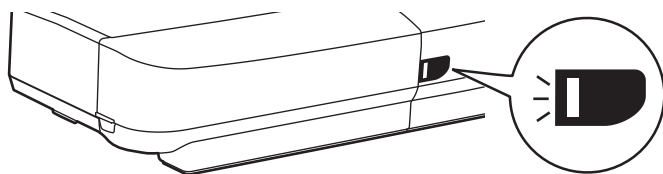
Screen	In general	Embroidery mode	Page
	<p>Winding the bobbin</p> <p>Bobbin winder spindle is on the right for bobbin winding. Push the spindle to the left for sewing. Please refer to "Winding the bobbin" chapter for more information.</p>	-	8-10
	-	<p>The machine is connecting to the WiFi router</p> <p>The WiFi light keeps flashing until it successfully connects to the base station (screen shows "Eb").</p> <p>Please refer to "Starting the connection" chapter for more information.</p>	43
	-	<p>Machine is in point-to-point (PP) mode</p> <p>The WIFI light keeps flashing until the setup is ready (screen shows "Eb").</p> <p>Please refer to "Starting the connection" chapter for more information.</p>	40
	-	<p>Machine is in Access Point (AP) mode</p> <p>For the first-time setting, please refer to "Starting the connection" chapter to complete the internet setting.</p>	42
	-	<p>Machine can be connected to APP</p> <p>Please refer to "Starting the connection" chapter to complete the internet setting.</p>	40

Error messages

Screen	In general	Embroidery mode	Page
	<p>Upper thread error</p> <p>The upper thread is broken or running out soon. Please change and re-threading the upper thread. Please refer to "Threading the upper thread" chapter for more information.</p>	-	11-13
	<p>Lower thread error</p> <p>The lower thread is broken or almost running out, please change and refill the lower thread. Please refer to "Winding the bobbin" and "Inserting the bobbin" chapters for more information.</p>	-	8-10
	-	<p>The presser foot is not raised</p> <p>Please raise the presser foot, and then press the auto-lock button to resume. Please refer to "Starting the connection" chapter for more information.</p>	41
	-	<p>Embroidery hoop is not removed</p> <p>Please remove the embroidery hoop and then press the auto-lock button to resume. Please refer to "Starting the connection" chapter for more information.</p>	41
	-	<p>Straight stitch plate is not installed</p> <p>Please replace the straight stitch plate and then press the auto-lock button to resume. Please refer to "Replacing the needle plate" chapter for more information.</p>	41
	<p>Motor overload protection</p> <p>The motor is overloaded due to the jammed threads or the fabrics are too thick to be penetrated.</p>	-	**

**** Please refer to instruction manual in DVD for detailed information.**

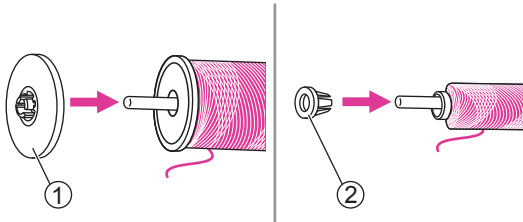
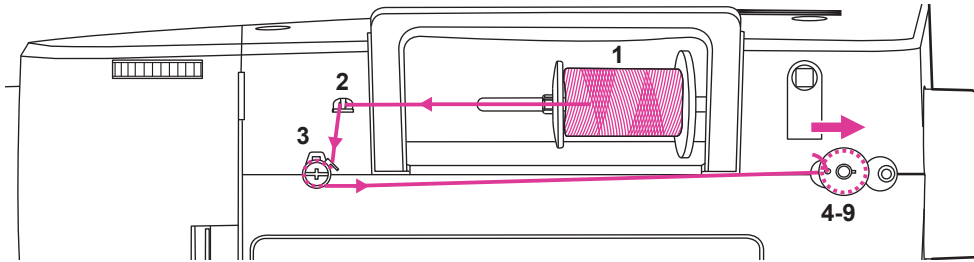
❖ Status Indicator



Display	In general	Sewing mode	Embroidery mode
Green	<p>When the upper thread breaks, the motor will stop. Green light will flash 3 times then back resume to constantly bright status.</p> <p>When remaining amount of bobbin thread is low, the motor will stop. Green light will flash 3 times then back resume to constantly bright status.</p>	<p>Constantly bright: Machine is ready to sew; press the start/stop button to start sewing immediately.</p>	<p>Constantly bright: Machine is ready to embroider ; press the start/stop button to start embroidering immediately.</p>
Yellow	-	Machine is not able to sew.	Machine is not able to sew.
Red	<p>Motor is overloaded or the shaft locked down.</p> <p>Once the problem solved, the lighting will resume to previous condition.</p>	-	-

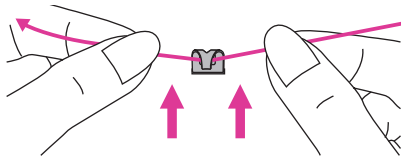
Winding the bobbin

Please following the number order and see the corresponding illustrations below.

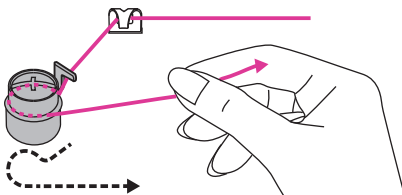


1. Place the thread and spool holder onto the spool pin. For better sewing quality, choose a proper size of the spool holder for the thread and attach it next to the spool.

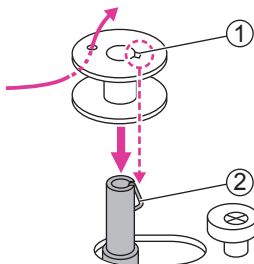
- ① Large spool holder
- ② Small spool holder



2. Draw the thread from the spool and place the thread in between the upper thread guide.

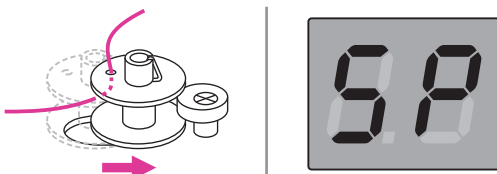


3. Wind the thread counter-clockwise around the tension discs.

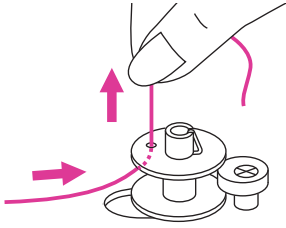


4. Place the thread end through one of the inner holes as illustrated and place the empty bobbin on the bobbin winder spindle. Then align the notch with bobbin winder spindle spring.

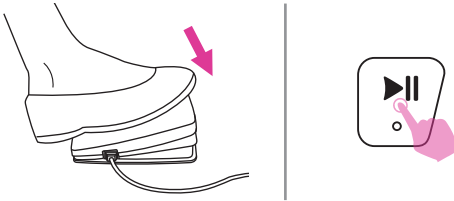
- ① Notch
- ② Bobbin winder spindle spring



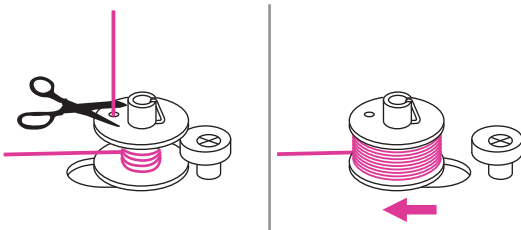
5. Push the bobbin to the right. When the bobbin winder spindle is pushed to the right, the screen will show "SP".



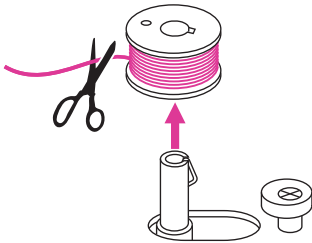
6. Hold the thread tail securely in one hand.



7. Step on the foot control (only in the sewing mode) or long press the start/stop button to start winding the bobbin.



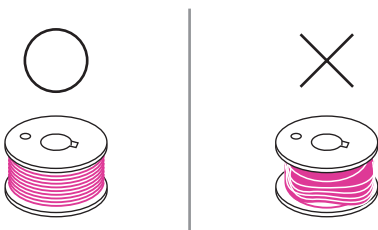
8. After the bobbin has wound a few rounds, stop the machine and cut the thread near the hole of the bobbin. Continue filling the bobbin until it is full. Once the bobbin is full, it rotates slowly. Release the foot control or press the start/stop button to stop the machine, then push the bobbin winder spindle to the left.



9. Cut the thread and then remove the bobbin.

Note

When the bobbin winder spindle is pushed to the right position, it's in "bobbin winding" mode and the machine is not allowed to sew and the handwheel will not be able to turn. To start sewing, push the bobbin winder spindle back to the left.



Note

Use a bobbin that has been correctly wound with thread, otherwise the needle may break or the thread tension will be incorrect.

Inserting the bobbin

⚠ Attention

Turn the power switch to off ("O").

When inserting or removing the bobbin, the needle and the presser foot must be fully raised.

Open the bobbin cover by pushing the release button to the right.

① Release button

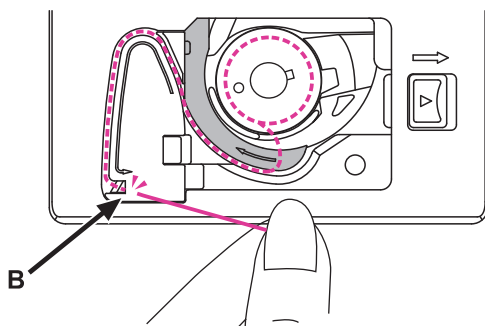
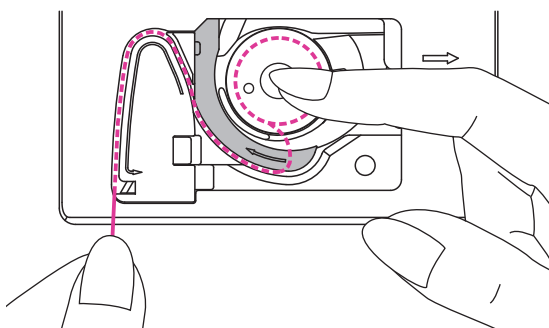
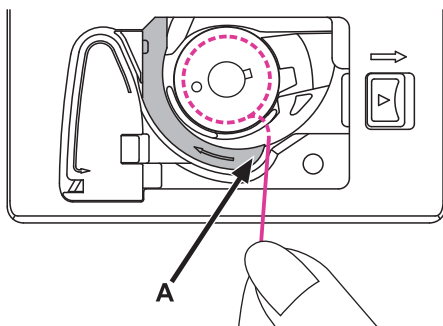
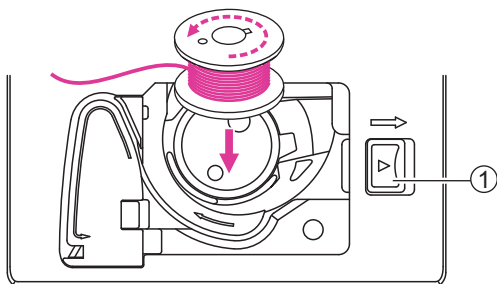
Insert the bobbin in the bobbin case with the thread running in a counter-clockwise direction (arrow).

Pull the thread through the slit (A).

With a finger hold gently on top of the bobbin, please follow the arrow markings and draw the thread into the bobbin thread guide.

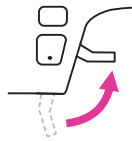
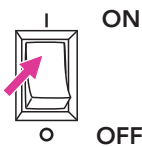
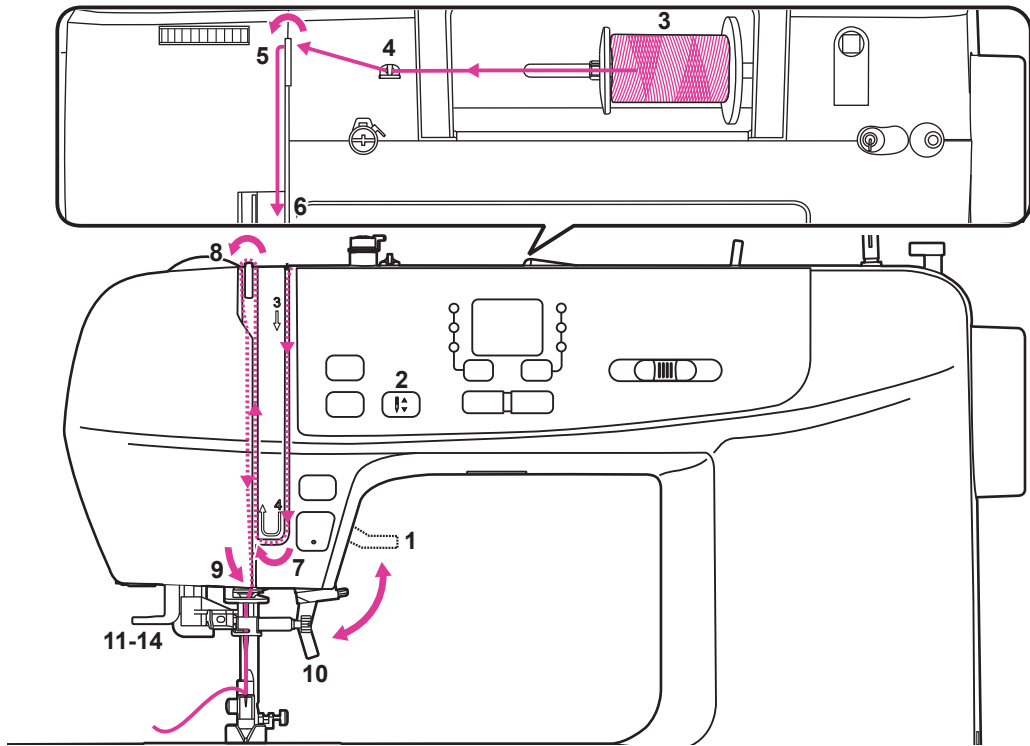
To cut off excessive thread, pull it to the cutter at point (B).

Close the bobbin cover.

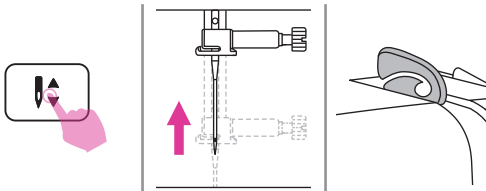


Threading the upper thread

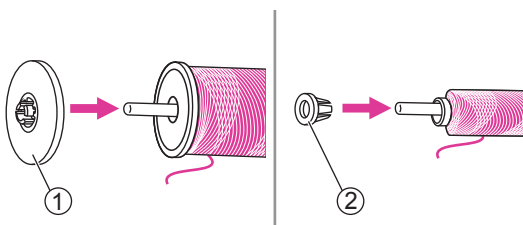
Please following the number order and see the corresponding illustrations below. It is important to carry out the threading correctly to get a quality sewing. Otherwise several problems will occur.



1. Turn the power switch to on ("I"). Raise the presser foot lifter.

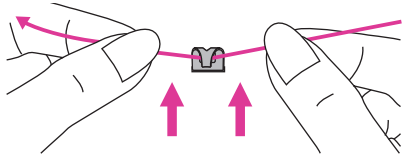


2. Press the needle up/down button to bring the needle and take-up lever to highest position.

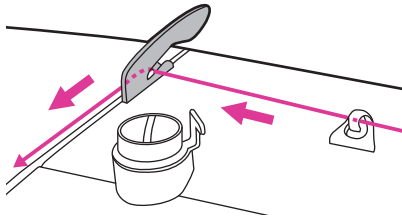


3. Place the thread and spool holder onto the spool pin. For better sewing quality, choose a proper size of the spool holder for the thread and attach it next to the thread.

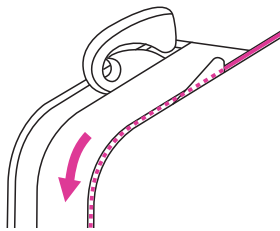
- ① Large spool holder
- ② Small spool holder



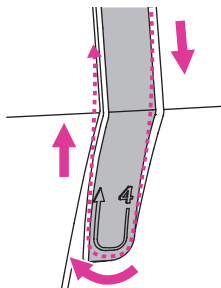
4. Draw the thread from the spool and place the thread in between the upper thread guide.



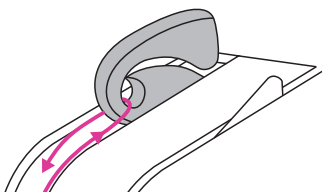
5. Guide the thread ahead and pull the thread through the pre-tension spring as illustrated.



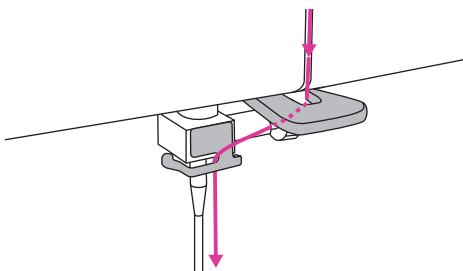
6. Continue to guide the thread into the silver discs to keep the thread in proper tension.



7. Pass the thread under the take-up spring then pull it upwards as arrow marks illustrated.

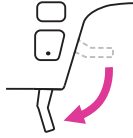


8. Pull the thread to the top then pass the thread through the slotted eye of the take-up lever. Guide the thread down afterwards.

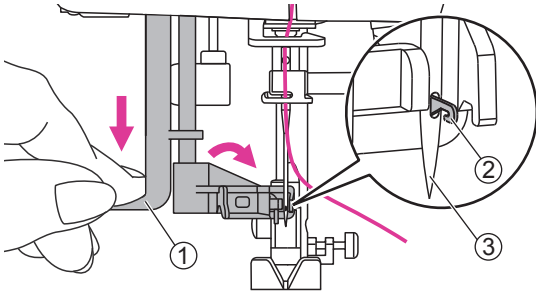


9. Pass the thread behind the flat, horizontal thread guide.

Use the needle threader to thread the needle.

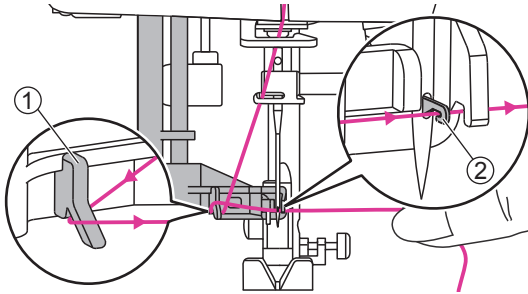


10. Lower the presser foot lifter.



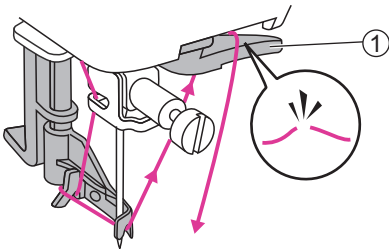
11. Pull down the lever to the very bottom. When heard a "click" sound, it will be on the right position to do the needle threading and the hook pin passes through the needle eye.

- ① Lever
- ② Hook pin
- ③ Needle



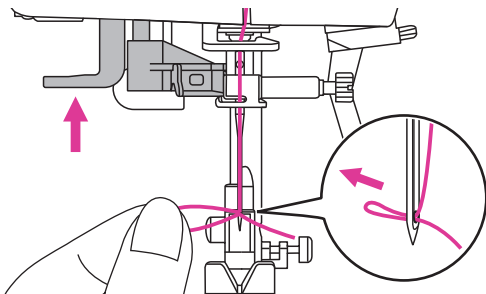
12. Pass the thread around the thread guide. Take the thread in front of the needle and make sure it is under the hook pin.

- ① Thread guide
- ② Hook pin



13. To cut the excess thread, take thread end and gently slip it over the thread cutter located on the right of the needle.

- ① Thread cutter



14. Raise the lever, the hook will rotate and pass the thread through the needle eye to form a loop.

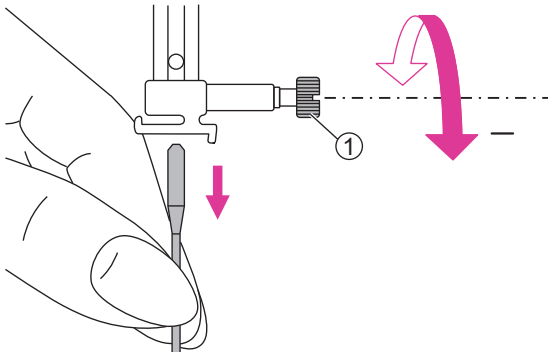
Pull the thread through the needle eye to finish threading.

Note

Your machine is threaded and ready for sewing, follow the instructions on "Starting to sew" chapter to start sewing.

Replacing the needle

Change the needle regularly, especially when it shows signs of wear or if it causes problems.

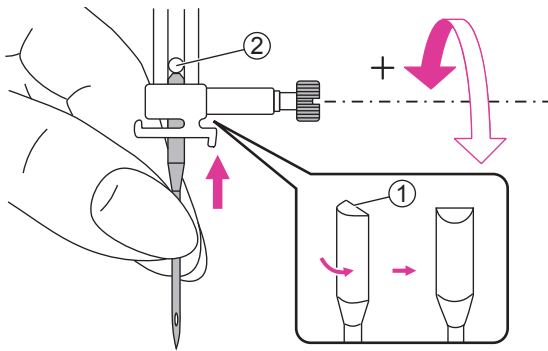


⚠ Attention

Turn the power switch to off ("O") when carrying out below operations!

Turn the handwheel toward you to raise the needle then loosen the needle clamp screw to remove the needle.

① Needle clamp screw

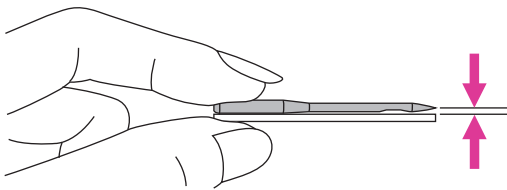


When inserting a new needle, keep the flat side of the shaft to the back.

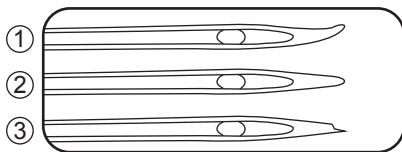
Push the needle into the clamp until it touches the pin and stops. Then secure it by tightening the needle clamp screw.

① Flat side of the shaft

② Pin



Needles must be in perfect condition.








Problems can occur with:

① Bent needles

② Blunt needles

③ Damaged points

Matching needle/fabric/thread

NEEDLE SIZE	FABRICS	THREAD
9-11 (70-80) 	Lightweight fabrics- thin cottons, voile, serge, silk, muslin, Qiana, interlocks, cotton knits, tricot, jerseys, crepes, woven polyester, shirt & blouse fabrics.	Light-duty thread in cotton, nylon, polyester or cotton wrapped polyester.
11-14 (80-90) 	Medium weight fabrics- cotton, satin, kettleclote, sailcloth, double knits, lightweight woolens.	Most threads sold are medium size and suitable for these fabrics and needle sizes. Use polyester threads on synthetic materials and cotton on natural woven fabrics for best results. Always use the same thread on top and bottom.
14 (90) 	Medium weight fabrics- cotton duck, woolen, heavier knits, terrycloth, denims.	
16 (100) 	Heavyweight fabrics- canvas, woolens, outdoor tent and quilted fabrics, denims, upholstery material (light to medium).	
18 (110) 	Heavyweight fabrics- Heavy woolens, overcoat fabrics, upholstery fabrics, some leathers and vinyls.	Heavy duty thread, carpet thread.

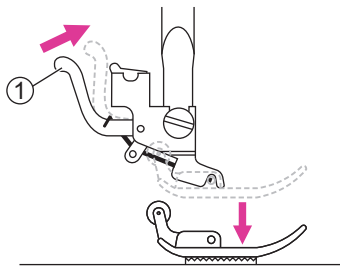
Note

1. In general, fine threads and needles are used for sewing fine fabrics, thicker threads and needles are used for sewing heavy fabrics.
2. Always test thread and needle size on a small piece of fabric which will be used for actual sewing.
3. Use the same thread for needle and bobbin.
4. Use a stabilizer or place a backing for fine or stretchy fabrics, and select the correct presser foot.
5. It is recommended that a 90/14 needle should be used when embroidering on heavyweight fabrics or stabilizing products (for example, denim, puffy foam, etc.). A 75/11 needle may bend or break, which could result in injury.
6. For transparent nylon thread, always use needle 90/14 - 100/16. The same thread is usually used for the bobbin thread and upper threading.
7. For good quality embroidery designs, recommend to use a 75/11 needle when embroidering.

Changing the presser foot

⚠ Attention

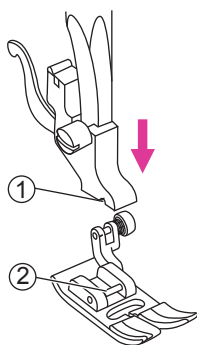
Turn the power switch to off ("O") when carrying out any of the operations below!



❖ Remove the presser foot

Raise the presser foot lifter. Press the back lever to release the presser foot.

- ① Lever

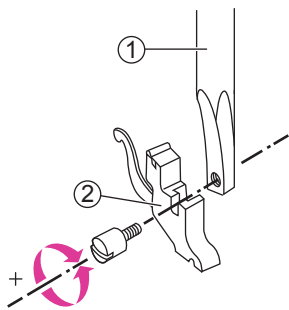


❖ Attach the presser foot

Lower the presser foot lifter until the cut-out meets the pin.

The presser foot will attach to the presser foot holder automatically.

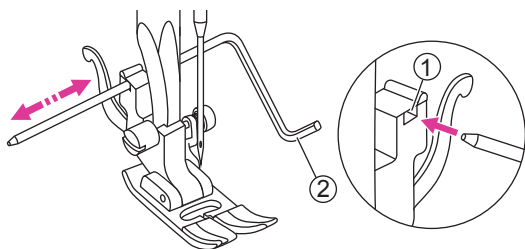
- ① Cut-out
- ② Pin



❖ Remove and insert the presser foot holder

Raise the presser foot lifter. Align the presser foot holder with the lower left side of the presser bar. Hold the presser foot holder, then tighten the screw using the enclosed screwdriver.

- ① Presser foot bar
- ② Presser foot holder

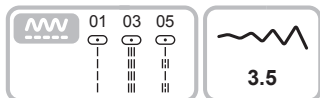


❖ Insert the edge/quilting guide

Insert the edge/quilting guide in the slot as illustrated. Adjust the needed width according to your sewing applications.

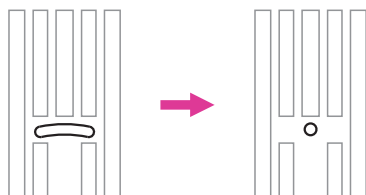
- ① Slot
- ② Edge/quilting guide

Replacing the needle plate



⚠ Attention
Turn the power switch to off ("O").

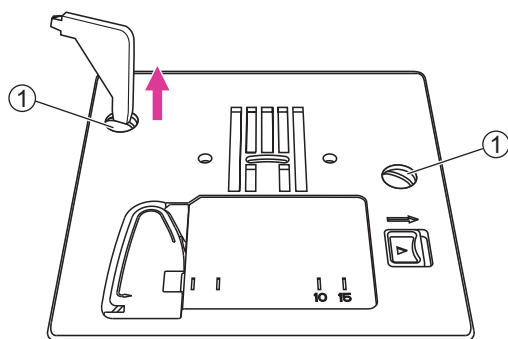
Only specific straight stitches are applicable while using straight stitch needle plate. (stitch pattern 01 & 03 & 05)



The straight stitch plate is recommended for embroidery mode for better embroidery quality. It can be also used for straight stitches in middle needle position in normal sewing mode.

The particular design of smaller central hole can give a better support of the fabric during straight stitch sewing.

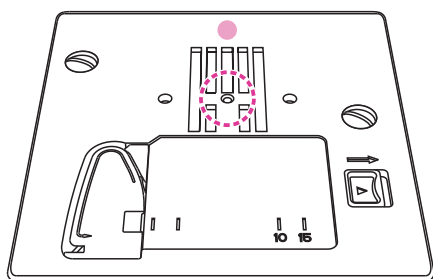
Thus, the fabric can be prevented from being pulled down into bobbin/hook area, especially in the beginning or end of a seam.



Remove the needle, presser foot and presser foot holder.

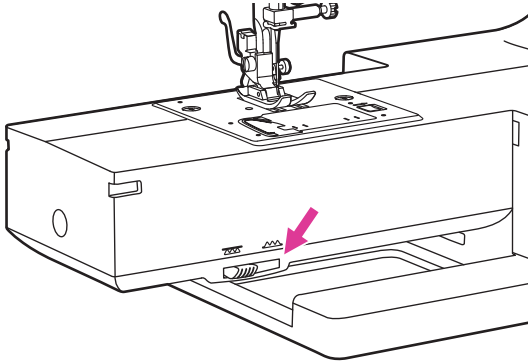
Remove the screws on the needle plate then remove the needle plate.

① Screws



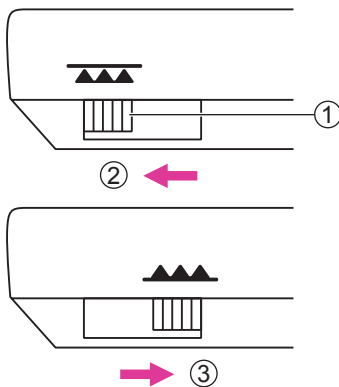
Change the straight stitch plate and tighten the screws.

To raise or drop the feed dogs



The drop feed lever can be seen on the base at the front side of the sewing machine.

Sliding the drop feed lever to lower or raise the feed dogs. When lever is in raised position, the feed dog will arise automatically when you are sewing.

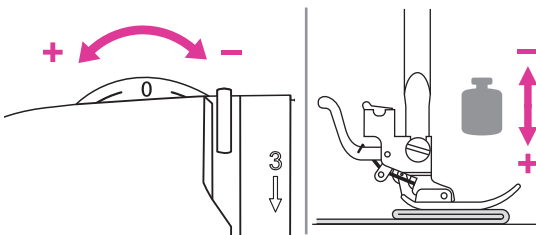


- ① Drop feed lever
- ② Lowered position
- ③ Raised position

Note

When you finish the work, (e.g. button sewing, free motion darning, embroidery and monogramming), please move the drop feed lever to raised position for general sewing purpose.

Adjusting the presser foot pressure



The presser foot pressure dial is on the top left of the face plate.

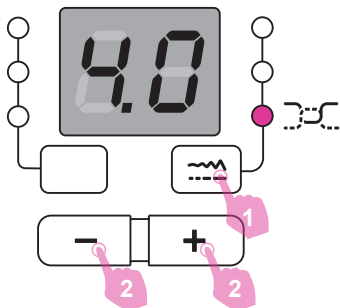
The presser foot pressure of the machine has been pre-set and requires no particular adjustment for general sewing.

Basic presser foot pressure setting: "0".

For sewing with very thin fabric, reduce the pressure by turning the knob clockwise (-1, -2, -3) and for heavy fabric, increase the pressure by turning it counter-clockwise (+1, +2).

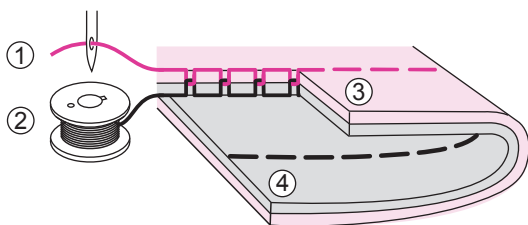
Thread tension

Proper tension setting is important for sewing. There is no single tension setting appropriate for all the stitch functions and fabrics.



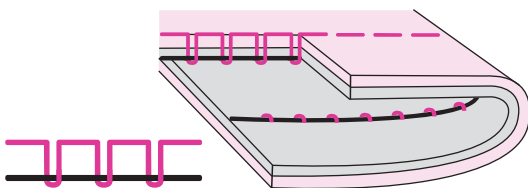
Basic thread tension setting: "4".

1. Press the stitch adjustment button to change to the thread tension mode.
2. When the tension light is on, the upper thread tension can be adjusted.

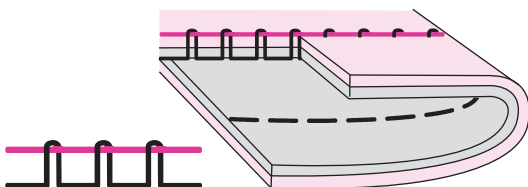


Normal thread tension for straight stitch sewing.

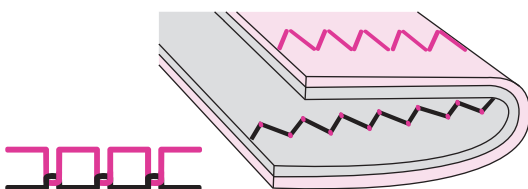
- ① Upper thread
- ② Bobbin thread
- ③ Surface
- ④ Wrong side



Thread tension is too loose for straight stitch sewing. To increase the tension, press the "+" button.



Thread tension is too tight for straight stitch sewing. To reduce the tension, press the "-" button.

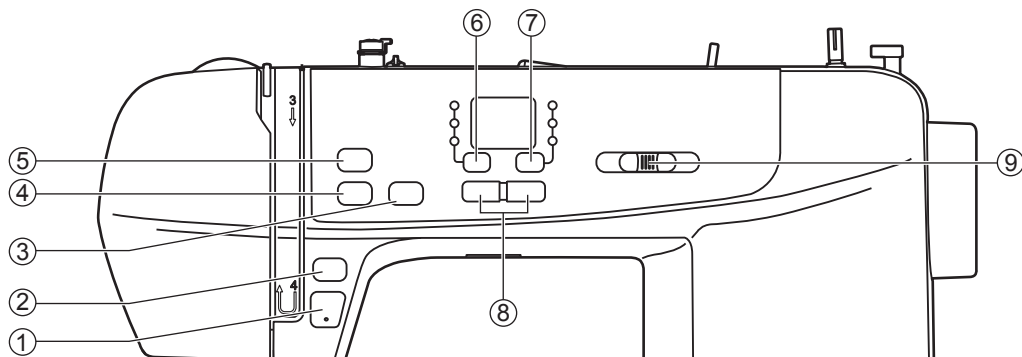


Normal thread tension for zig zag and decorative sewing.

For all decorative sewing you will always obtain a nicer stitch and less fabric puckering.

Correct thread tension is when a small number of the upper thread appears on the bottom side of fabric.

Operation buttons



1. Start/stop button

Long press the start/stop button to start machine running. Press the start/stop button again to stop machine. The machine rotates slowly at the beginning of the sewing.

The sewing speed can be controlled by the speed adjustment slider.

This way you may operate the machine without foot control.



2. Reverse button

When the A group patterns 01-06 are selected, the machine will sew reverse at a low speed if the reverse button is pressed. The machine will sew forward after the button is released.

When the A group patterns 07-19, 28-55 and B group patterns 01-65 are selected, the machine will immediately sew 3 locking stitches when the reverse button is pressed, then automatically stop.



3. Needle up/down position button

With the needle up/down position button, you decide whether the needle stops in the highest or in the lowest position (i.e. in the fabric) when you stop sewing.

Note

During sewing, press the needle up/down button, the machine will stop automatically.



4. Tread cutter button

Press this button after finishing sewing and the machine will trim the thread.

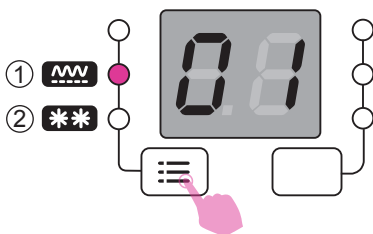


5. Auto-lock button

When machine is not sewing: Press the auto lock button, machine will sew 3 stitches in the same position then stop.

During machine is sewing: When A group patterns 01-06 are selected and the auto-lock button is pressed, the machine will sew 3 locking stitches. Then it will stop automatically.

During machine is sewing: When A group patterns 07-19, 28-55 and B group patterns 01-65 are selected and the auto-lock button is pressed, the machine will sew 3 locking stitches at the end of the current pattern. Then it will stop automatically. The function will be cancelled if you press the button once again or select another pattern.



6. Group switch button

Press the group switch button to change to the A group patterns or B group patterns mode.

- ① A group patterns
- ② B group patterns

For details, refer to "stitch chart".



6.1 Sound button

Buzzer turn off:

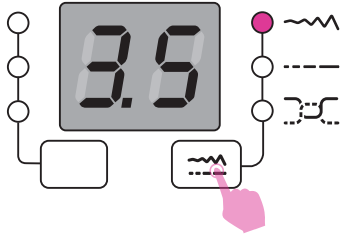
In the sewing mode, press the sound button for 2 seconds and when you hear the machine delivering a short beep, the sound will be turned off.



Buzzer turn on:

In the sewing mode, when machine is in silent mode, press the button for 2 seconds and it will deliver two short beeps to remind you that the sound is turned on now.





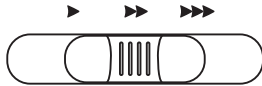
7. Stitch adjustment button

Press the stitch adjustment button to change to the stitch length, stitch width or thread tension mode.



8. Value setting buttons

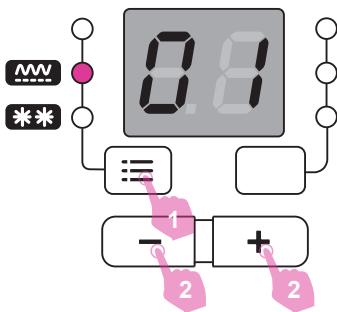
The +/- button can modify the values for sewing. (stitch number/ stitch length/ stitch width/ thread tension)



9. Speed adjustment slider

In the sewing mode, the speed adjustment slider can control the sewing speed. To increase the speed, slide the lever to the right. To decrease the sewing speed, slide the lever to the left.

Selecting stitch

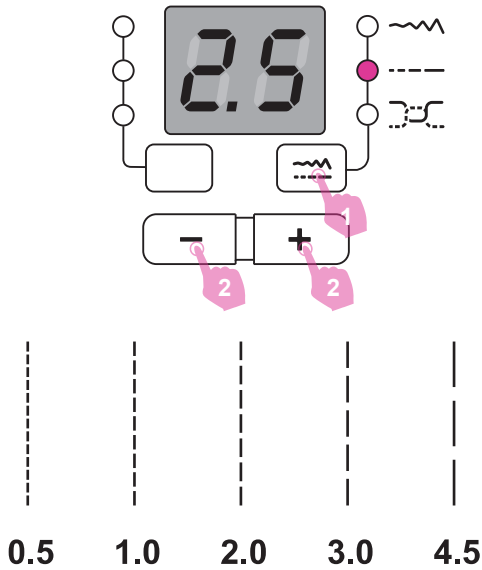


Select the desired stitch from those shown on the stitch pattern plate.

1. Press the group switch button to change to the A group patterns or B group patterns mode.
2. When the group pattern light is on, the +/- buttons can be used to select the pattern number needed; press the "+" button to select the next pattern number and press the "-" button to select the previous pattern number.

When the +/- button is pressed and held down, the numbers will change continuously for quick selection.

Altering the stitch length & width



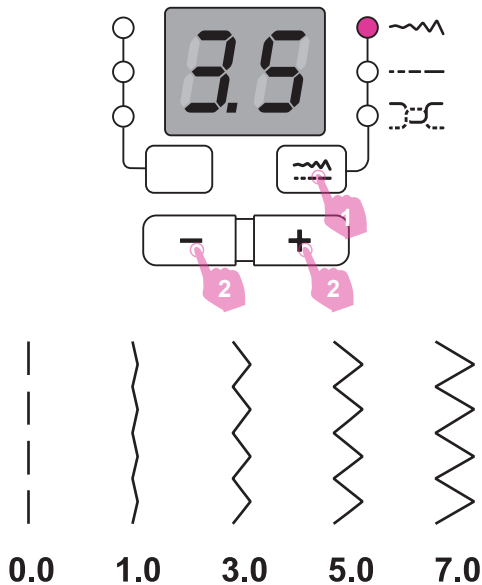
❖ Altering the stitch length

When you select a stitch, the machine will automatically set the recommended stitch length values which will be shown on the LED screen.

1. Press the stitch adjustment button to change to the stitch length mode.
2. For a shorter stitch length, press the "-" button. For a longer stitch length, press the "+" button.

The stitch length can be adjusted between "0.0-4.5". Certain stitches may have a limited stitch length.

When the number is set back at its default value, the screen will blink.



❖ Altering the stitch width

When you select a stitch, the machine will automatically set the recommended stitch width values which will be shown on the LED screen.

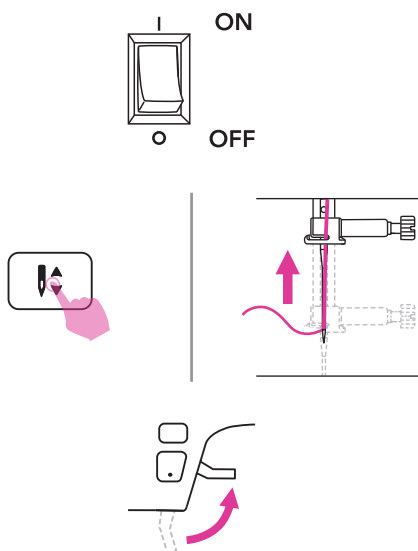
1. Press the stitch adjustment button to change to the stitch width mode.
2. For a narrower stitch, press the "-" button. For a wider stitch, press the "+" button.

The stitch width can be adjusted between "0.0-7.0". Certain stitches may have a limited stitch width.

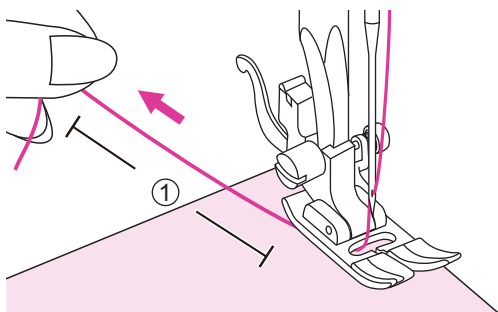
When the number is set back at its default value, the screen will blink.

Starting to sew

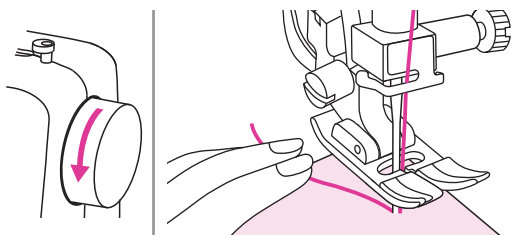
Make sure you follow the needle/fabric/thread combinations and use the suggested presser foot before sewing.



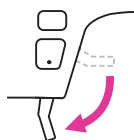
1. Turn the power switch to on ("I").
2. Press the needle up/down button to bring the needle to highest position.
3. Raise the presser foot lifter.
Select a stitch.



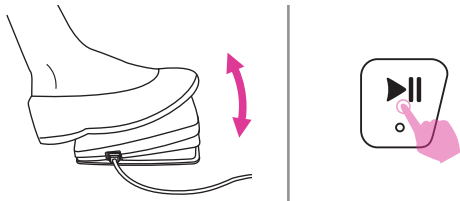
4. Place the fabric under the presser foot, pass the thread under the presser foot, and then pull out about 10cm of thread toward the rear of the machine.
① 10cm



5. Turn the handwheel toward you (counter-clockwise) to lower the needle into the fabric at the beginning of the stitching.



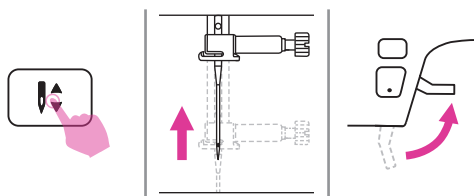
6. Lower the presser foot lifter.



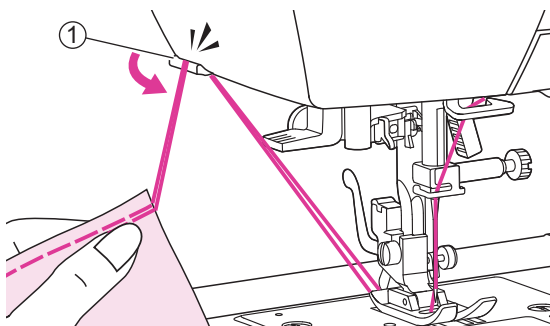
7. Slowly press down the foot control or press the start/stop button to start sewing. Release the foot control or press the start/stop button again to stop the machine.

Note

You can use reverse sewing for back tacking and reinforcing seams by pressing the reverse button. Please refer to "Useful skills" chapter for more information.



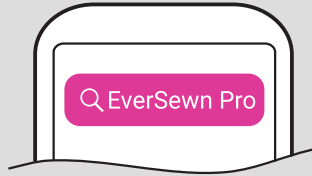
8. Press the needle up/down button to raise the needle. Raise the presser foot lifter and remove the fabric.



9. Guide both threads to the side of the face plate and into the thread cutter to cut them.

① Thread cutter

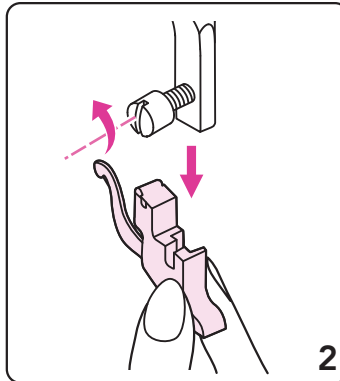
Embroidery quick guide



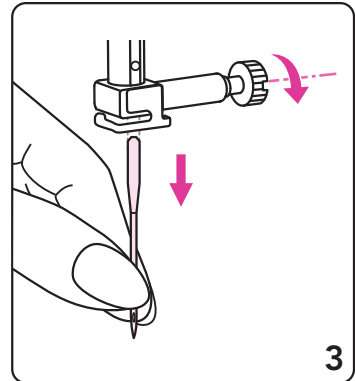
EverSewn Pro



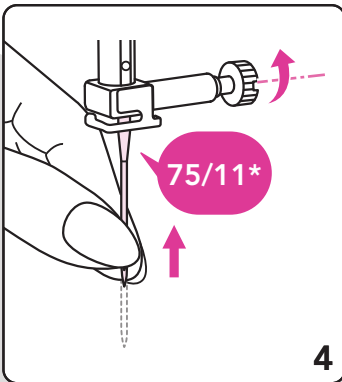
1



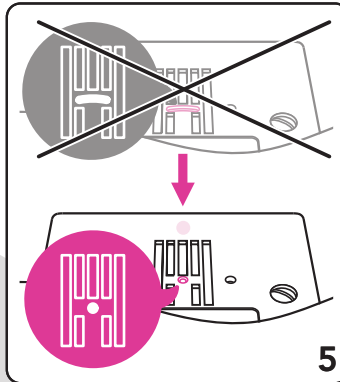
2



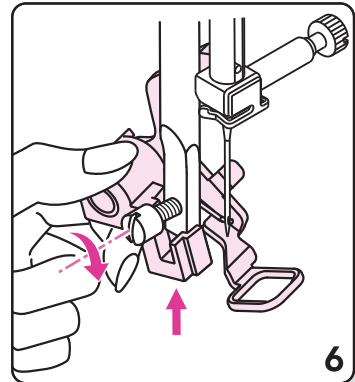
3



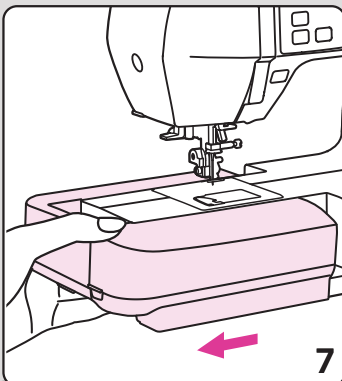
4



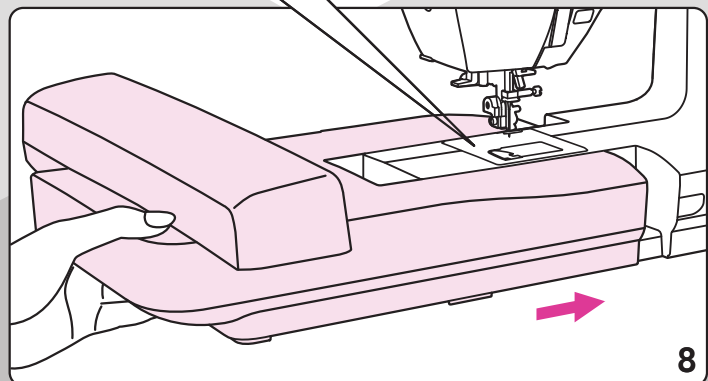
5



6



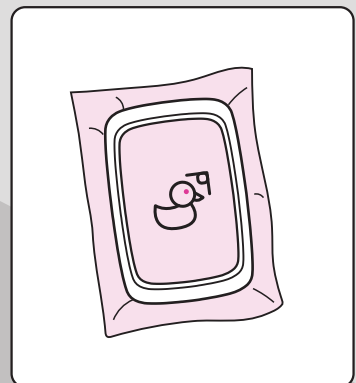
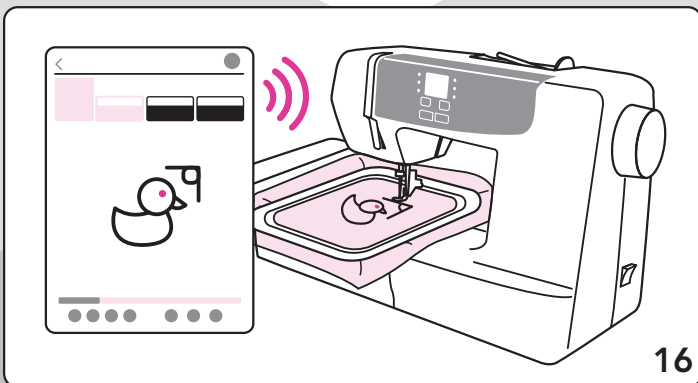
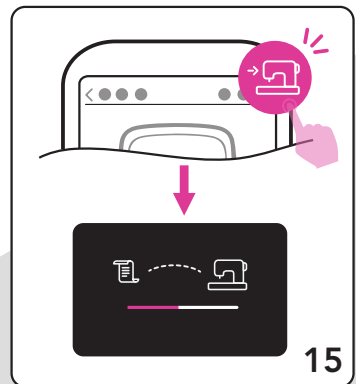
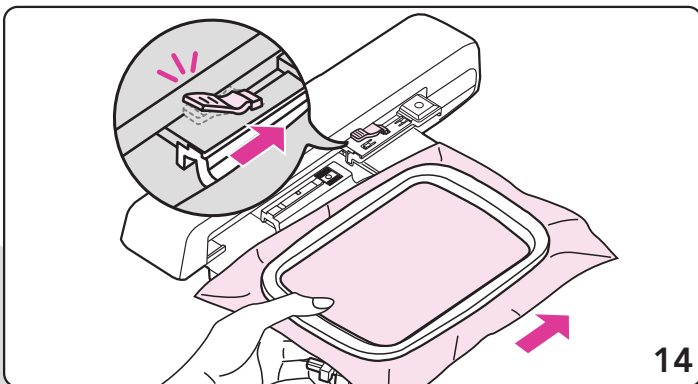
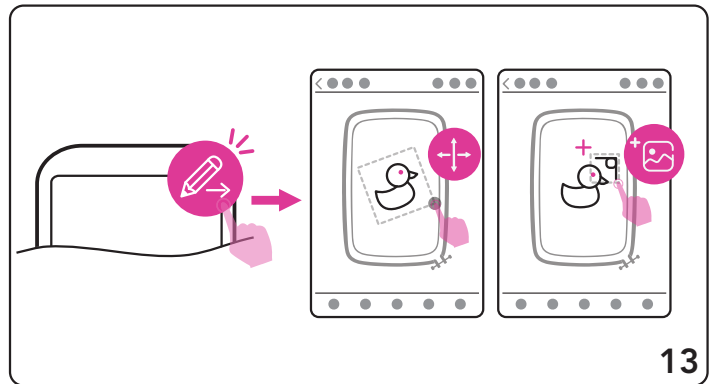
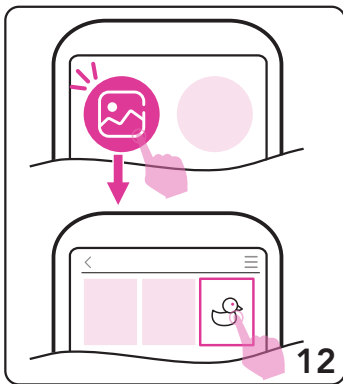
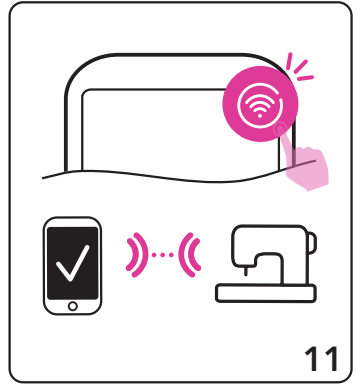
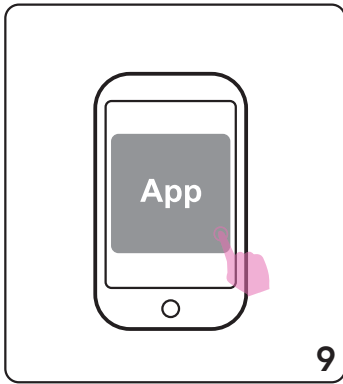
7



8

Embroidery Preparation

* Please refer to page "Matching needle/fabric/thread" and "Replacing the needle" for more information.



Important embroidery information

❖ Embroidery threads

A good quality thread is essential for embroidery to avoid poor stitch formation, needle break, etc.

Good embroidery performance will be effective by using 40wt glossy rayon or polyester embroidery threads as upper threads. They are available in a wide range of colors for beautiful embroidery.

Polyester threads

Polyester is a glossy thread with high tensile strength, hard wearing and colorfast features, which is suitable for all type of embroidery.

Rayon threads

Rayon is a soft viscose fiber with a brilliant sheen and suitable for fine, delicate embroidery, or items that will not receive excessive wear and tear.

Metallic threads

Metallic thread is a light to medium weight thread suitable for special effects in embroidery.

Reduce the thread tension when embroidering with metallic threads.

Embroidery needle

- Select correct thread size and needle size for embroidery.
- Replace the needle regularly.

Note

Please use the second spool pin when metallic or special material threads been used.

❖ Bobbin threads

Bobbin Fill (special bobbin thread)

Bobbin Fill is an especially soft and light polyester thread suitable for bobbin thread. This special bobbin thread ensures a steady thread tension and best performance of pieces of the upper and bobbin thread.

Darning and embroidery thread

Fine mercerized cotton thread which is suitable for embroidering on cotton.

Note

In most cases, bobbin thread for embroidery is either white or black. Some special cases require the same for upper and bobbin thread.

❖ Stabilizer

Tear-away stabilizers

- The excess is easily to tear away.
- One or more layers can be used.
- Available for light and thick materials.
- Before hooping, apply a little spray onto back side of fabric can bring more stability on performance.
- Carefully tear away excess stabilizer from the back of the project after completion.
- Ensure the embroidery pattern will not be deformed.
- Leaving the stabilizer under the larger embroidered areas.

Application:

- Available for all woven materials and non-stretch materials.

Cut-away stabilizers

- One or more layers can be used.
- Available for light and thick materials.
- Before hooping, apply a little spray onto back side of fabric can bring more stability on performance.
- Carefully cut away excess stabilizer from the back of the project after completion.
- Ensure the embroidery patten will not be deformed.
- Leaving the stabilizer under the larger embroidered areas.

Application:

- For all elastic materials.

❖ Adhesive Spray

Avoid using spray adhesive next to your embroidery machine.

- Keep about 25-30 cm distance while using the spray.
- Use the spray carefully.
- Spray the stabilizer and adhere to back side of material carefully and iron to prevent wrinkles.

Application:

- Keep stretch and knitted material in shape.
- Prevent layers of fabric slipping while smooth material been used.
- Appliques can be exactly positioned.
- Place cloth on stabilizer, e.g. pocket flaps.
- Do not place the napped materials(i.e. velvet) in the hoop. It may have hoop marks on the material.
- Fix the area to be embroidered.

Spray starch for additional stiffening

Spray starch is ideal for additional stiffening on fine, soft or loosely woven materials.

- Spray on the area to be embroidered
- Wait until dry; or press gently with a warm iron if necessary
- Always use an additional stabilizer such as water soluble stabilizer to be applied on the material.

Application:

- Ideal for fine, loosely woven materials, e.g. batiste, fine linen, etc.

❖ Iron-on interfacing

Iron-on interfacings are available in a variety of weights. Iron-on interfacings should be selected to suit the material being used. Use an iron-on interfacing which is easily removable from the material.

Fuse the iron-on interfacing to the wrong side of material and press.

Application:

- Please use an appropriate stabilizer and cut it in a bigger shape than your embroidery pattern. Then place it onto the design for support.

Paper-backed adhesive stabilizer

- Place stabilizer in hoop with paper side up.
- Use a pointed tool (e.g. scissors) to score the paper.
- Remove the paper to reveal the sticky surface.
- Position the fabric over the sticky surface and smooth into place.

Application:

- Intended for delicate materials such as jersey or silk etc.
- For hard-to-hoop parts and materials.

Note

Make sure that the adhesive residue on needle, stitch plate and hook area are totally removed.

Water soluble stabilizer

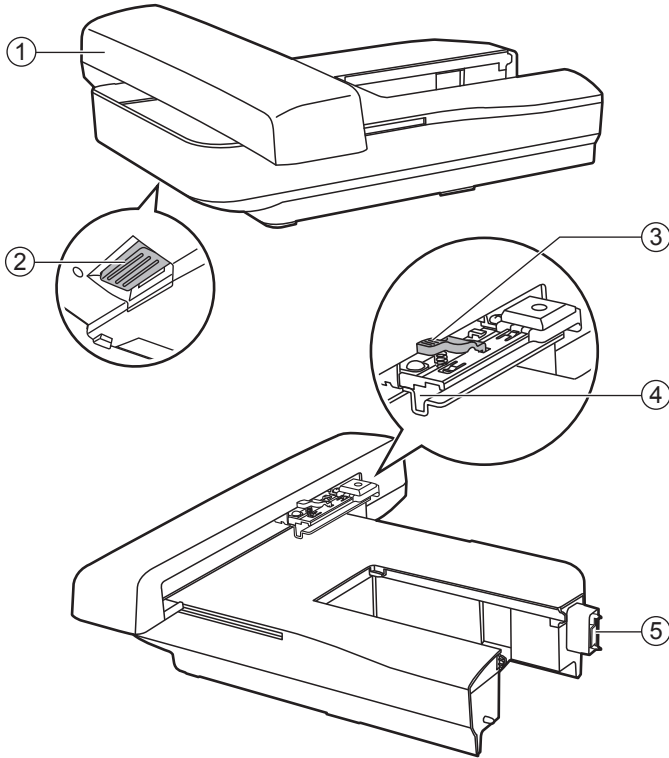
Water soluble stabilizer looks like plastic wrap. When you finish embroidery design, simply submerge project in warm water to dissolve stabilizer. Water soluble stabilizer helps keep the stitches from disappearing in high-pile fabrics (such as towels of fluffy cotton).

- Place the water-soluble stabilizer on top of the fabric.
- Place all layers together into the embroidery hoop.
- Use adhesive spray to fix stabilizer if necessary.
- For pile fabrics, an additional stabilizer on the wrong side is suggested for reinforcement.
- After finishing the sewing, dissolve it and lay the project until dry.

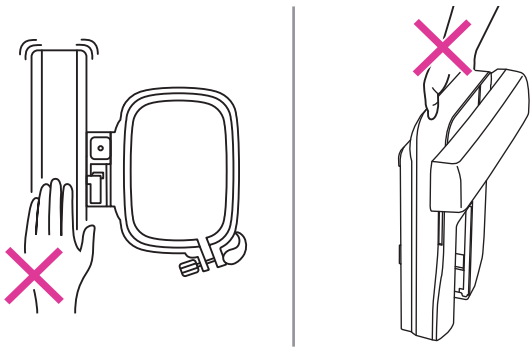
Application:

- Available for towel, velvet, bouclé and etc.
- Available for fine, sheer material such as organdy, bastiste and etc.
- Available for lace embroidery.

Embroidery unit overview



1. Embroidery carriage
2. Embroidery unit release button
3. Hoop-securing lever
4. Embroidery hoop holder
5. Embroidery unit detection device



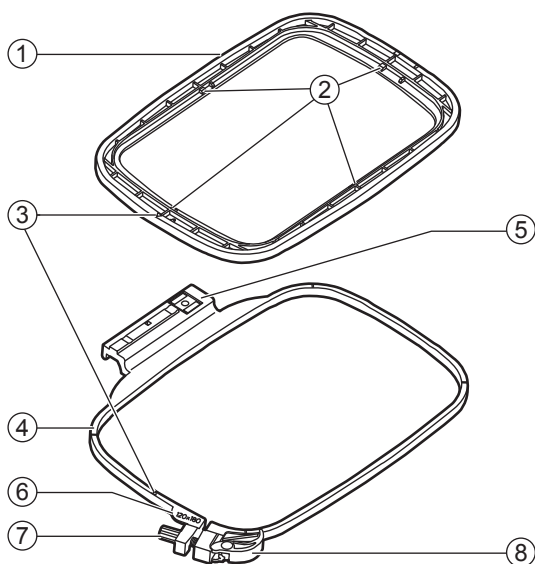
Note

Do not touch the embroidery unit detection device. The connector could be damaged, and it may cause malfunctions.

Do not press or force on embroidery carriage, and do not lift it up. It may cause malfunctions.

Do not carry the embroidery unit by holding the release button compartment.

Embroidery hoop overview



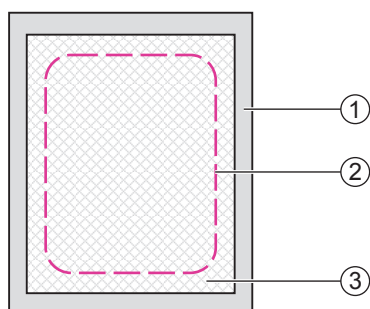
1. Inner hoop
2. Center marks
3. Triangular mark
4. Outer hoop
5. Embroidery hoop connector
6. Hoop size marks
7. Fastening screw
8. Quick release device

Preparing the embroidery hoop

❖ Attaching a stabilizer to the fabric

⚠ Attention

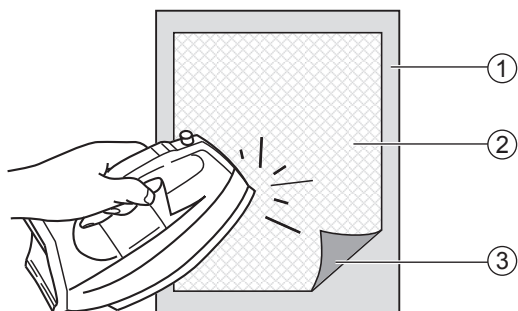
Always use stabilizer material when embroidery. The needle may break or bend without using stabilizer material for thin fabrics or stretch fabrics in embroidering works. Furthermore, the pattern may not be sewn perfectly.



To obtain the best embroidery performance, it is important to use stabilizers.

Prepare stabilizer material that is larger than the embroidery hoop being used.

- ① Wrong side
- ② Size of embroidery hoop
- ③ Stabilizer



If you are using adhesive stabilizers, place the adhesive surface of the stabilizer material against the wrong side of the fabric, and iron.

- ① Wrong side
- ② Stabilizer
- ③ Adhesive surface

❖ Hopping the fabric

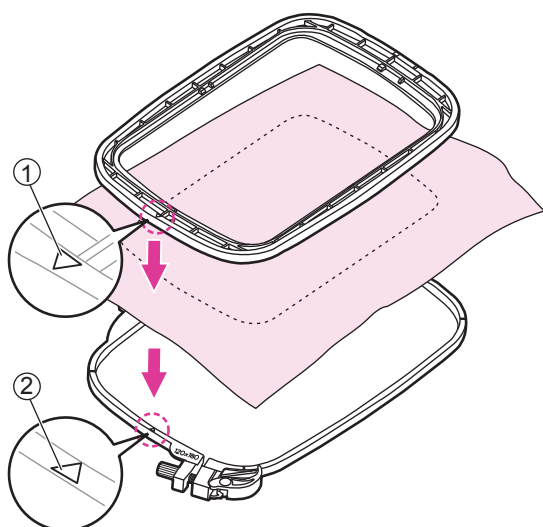
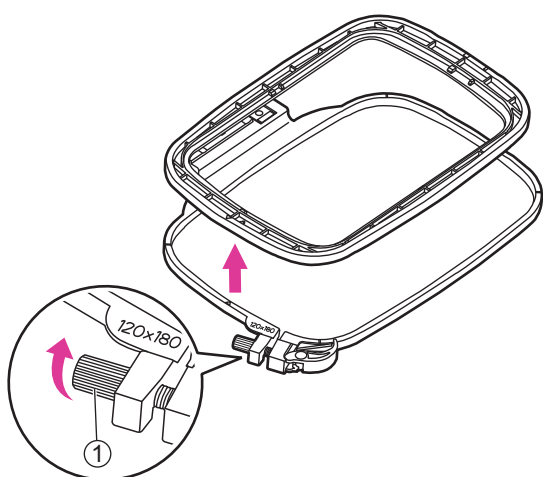
⚠ Attention

Thick layers of fabric and stabilizer may cause skipped stitches, or broken threads, needles and damage on embroidery hoops.

Loosen the fastening screw under the outer hoop.

Separate the inner hoop and outer hoop.

- ① Fastening screw

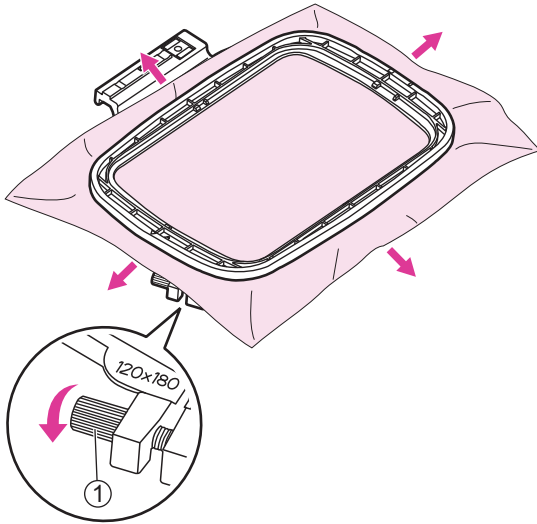


Place the outer hoop on a sturdy flat space.

Make sure the fabric with right side upwards, place the stabilizer underneath the fabric for better support, and then place the fabric and stabilizer altogether on the outer hoop. It can achieve better embroidery performance.

Align both triangular marks and fix the fabric in place.

- ① Inner hoop's triangular mark
- ② Outer hoop's triangular mark



Place the inner hoop on the fabric and press firmly until they are securely fit to outer hoop perfectly. If the inner hoop cannot fit properly, loosen the outer hoop's fastening screw and adjust until fitted.

When the fabric and inner hoop are completely fit into the outer hoop, pull the fabric from the four sides marked with the arrows so that the fabric is stretched drum-tight in the hoop, and then press the inner hoop downwards so that it sinks into the outer hoop a little and tighten the fastening screw.

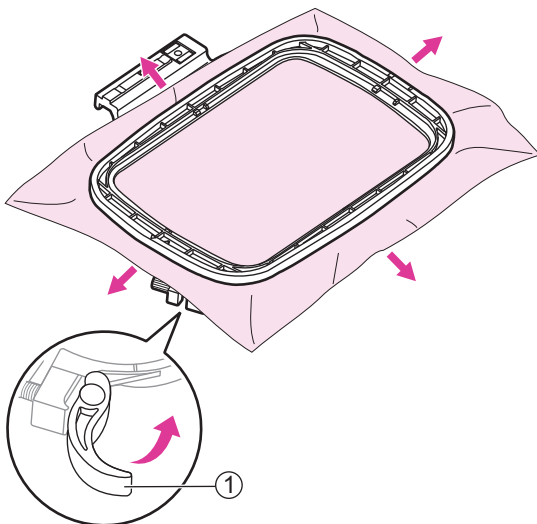
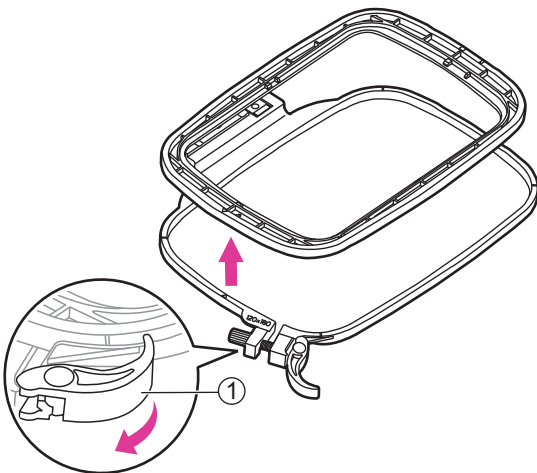
① Fastening screw

❖ Use the quick release device

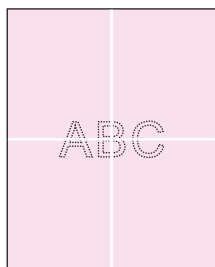
If same type of fabric is used for embroidery, open the quick release device under the outer hoop.

Separate the inner hoop and outer hoop.

① Quick release device



Place the inner hoop on the fabric and press firmly until they are securely fit to outer hoop perfectly, pull the fabric from the four sides marked with the arrows so that the fabric is stretched drum-tight in the hoop, and then press the inner hoop downwards so that it sinks into the outer hoop a little and close the quick release device.



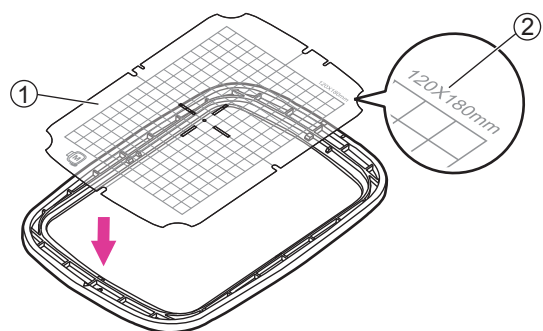
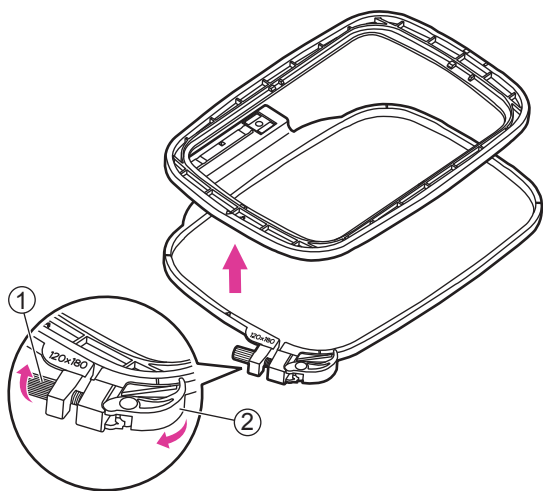
❖ Using embroidery sheet

Make a mark with a chalk at the center of the position for the pattern to be embroidered.

Loosen the fastening screw or open the quick release device (if same type of fabric is used for embroidery).

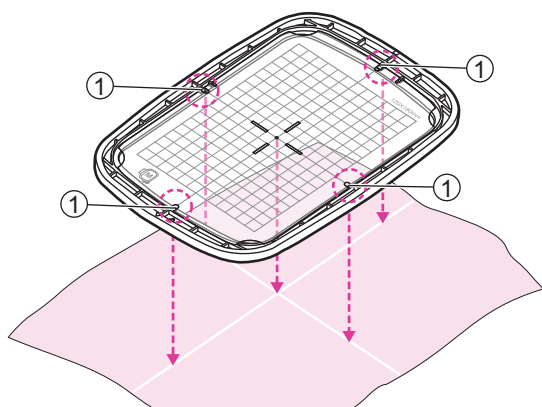
Separate the inner hoop and outer hoop.

- ① Fastening screw
- ② Quick release device



Place the embroidery sheet on the inner hoop. Make sure the hoop size printing is on top right side.

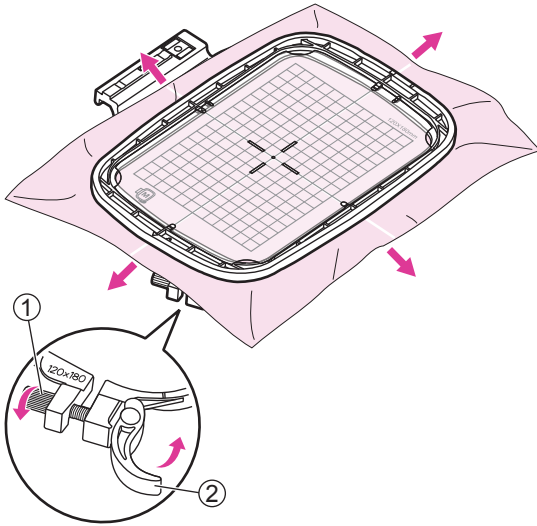
- ① Embroidery sheet
- ② Hoop size



Line the mark on the fabric up with the base line on the embroidery sheet.

Also, align the cross mark of the fabric to the center marks on the four sides of the inner hoop.

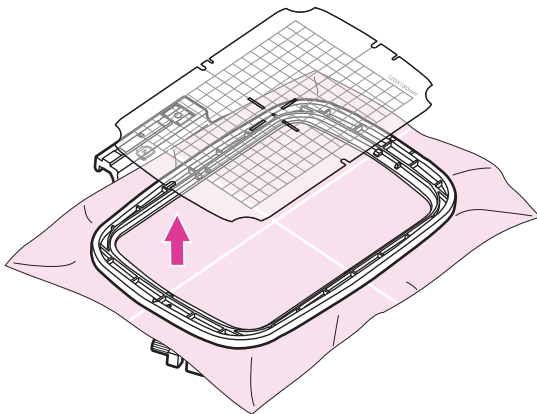
- ① Center marks



Place the inner hoop on the fabric and press firmly until they are securely fit to outer hoop perfectly. If the inner hoop cannot fit properly, loosen the outer hoop's fastening screw and adjust until fitted.

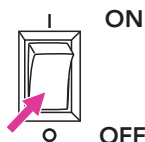
When the fabric and inner hoop are completely fit into the outer hoop, pull the fabric from the four sides marked with the arrows so that the fabric is stretched drum-tight in the hoop, and then press the inner hoop downwards so that it sinks into the outer hoop a little and tighten the fastening screw or close the quick release device (if same type of fabric is used for embroidery).

- ① Fastening screw
- ② Quick release device

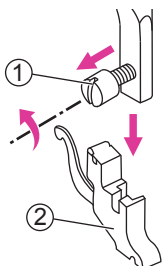


Remove the embroidery sheet.

Step 1. Preparation for embroidery

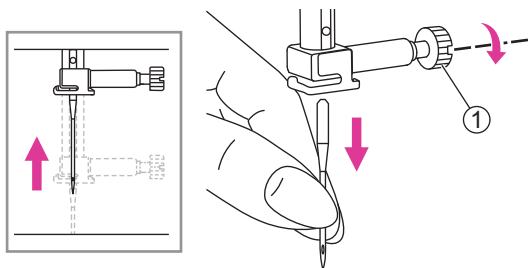


Turn the power switch to off ("O"). Raise the presser foot lifter.



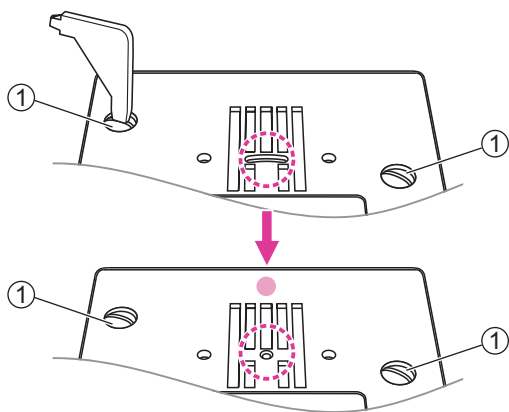
Loosen the screw counter-clockwise to remove the presser foot holder.

- ① Screw
- ② Presser foot holder



Turn the handwheel toward you to raise the needle then loosen the needle clamp screw to remove the needle.

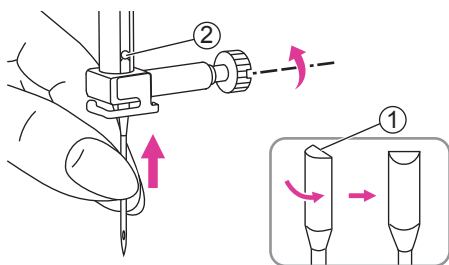
- ① Needle clamp screw



Remove the screws on the needle plate then remove the needle plate.

Change the straight stitch plate and tighten the screws.

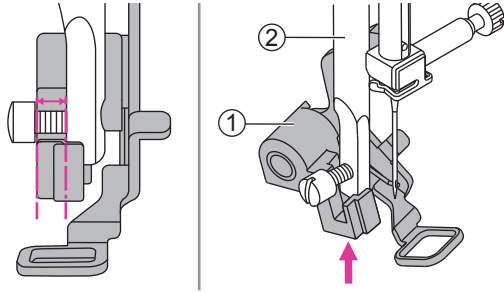
- ① Screws



Inserting a 75/11 needle, keep the flat side of the shaft to the back.

Please refer to page "Matching needle/fabric/thread" and "Replacing the needle" for more information.

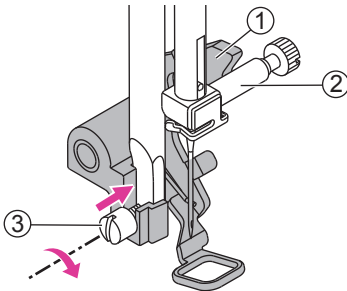
- ① Flat side of the shaft
- ② Pin



Make the embroidery foot lever upwards.

Tilt the embroidery foot and insert it from left to right so that the notch fits into the presser foot bar, and then push the embroidery foot upwards until it is aligned with the screw.

- ① Embroidery foot
- ② Presser foot bar



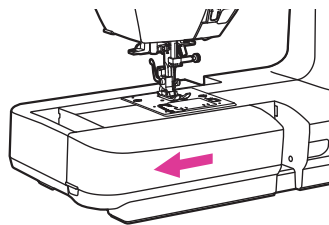
The embroidery foot lever will be against the top of the Needle clamp screw, then tighten the screw by using the screwdriver.

- ① Embroidery foot lever
- ② Needle clamp screw
- ③ Screw

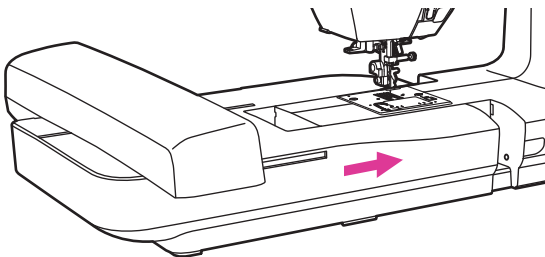


Note

Please check and make sure the presser foot is raised and remove embroidery hoop first before attaching embroidery unit onto the machine.



Hold the sewing table horizontally, then pull toward the left to remove it from the machine.



Slide the embroidery unit onto the machine arm. Push lightly until the unit clicks into place.

⚠ Attention

Once embroidery unit is installed, foot control cannot be operated.

Step 2. Starting the connection



EverSewn Pro

❖ Embroidery software installation

Search "EverSewn Pro" on Google Play/Apple Store to download and install the application in order to perform the following setting steps.

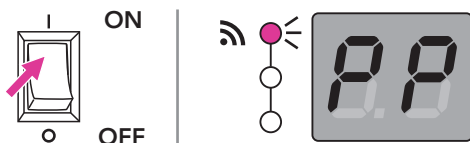
To reach the best user experience, we recommend you to use the tablet to connect with the machine for further operation.



❖ Connection Mode A: Point-to-Point

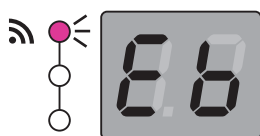
⚠ Attention

In this connection mode, the internet function of the portable device itself cannot be used and the cloud download function cannot be used as well.

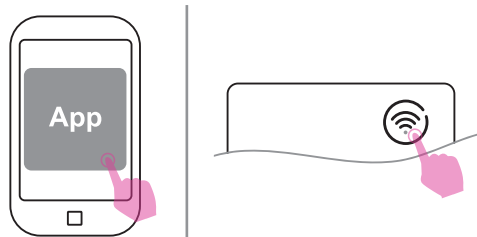


Turn on the power to start the point-to-point connection mode.

The embroidery unit will perform the reset action and the WiFi light will start flashing. The screen will light up and show "PP", which means it is under the setup process of point-to-point mode.

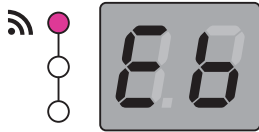


When the point-to-point mode was setup successfully created, the screen will show "Eb" and the WiFi light will flash continuously, waiting to connect with the app.



Please open the app on your portable device. (smart phone or tablet)

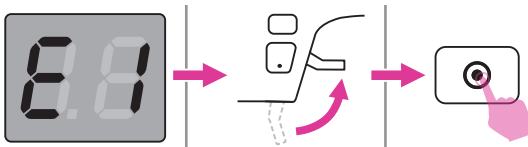
Press the connection button and follow the procedure to start performing the connection operations.



Once it has successfully connected to the APP, the WiFi light will change to become constantly on, which means that the embroidery function can now be normally executed.

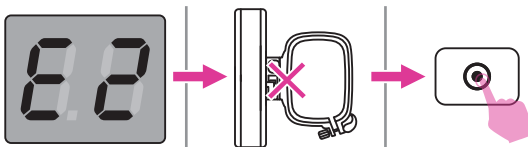
Note

Point-to-point mode is recommended for performing embroidery when there is a lot of wireless signal interference environment, this will reduce the interference among different devices.



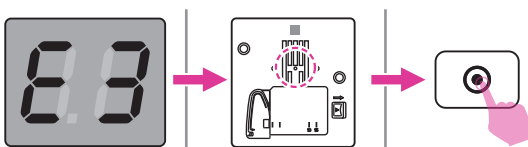
E1: Presser foot not raised

Due to safety protection, when the embroidery mode is enabled and the presser foot was not raised, "E1" will be displayed on the screen and the prompt tone will sound. Please raise the presser foot and then press the "auto-lock button" to re-start the reset action process.



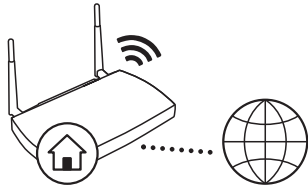
E2: Embroidery hoop not removed

Due to safety protection, when the embroidery mode is enabled and the embroidery hoop was not removed, "E2" will be displayed on the screen and the prompt tone will sound. Please remove the embroidery hoop and then press the "auto-lock button" to re-start the reset action process.



E3: Straight stitch plate is not installed

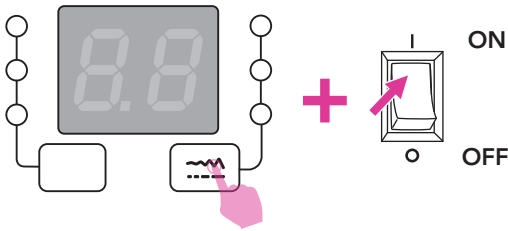
Due to safety protection, when the embroidery mode is enabled and the straight stitch plate was not installed, "E3" will be displayed on the screen and the prompt tone will sound. Please replace the straight stitch plate and then press the "auto-lock button" to re-start the reset action process.



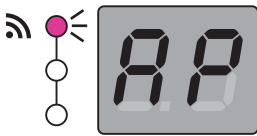
❖ Connection Mode B: Station (the first time to set up)

Before setting up, please confirm that the environment is equipped with the WiFi router and make sure it is connected to the internet in order to starting the connection.

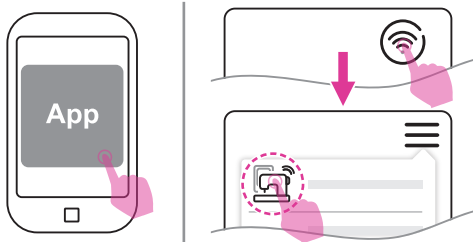
Please set the SSID of your WiFi access station in English letters or digital numbers then re-connect again.



Press the stitch adjustment button and turn on the power at the same time, in order to start the base station setting function.

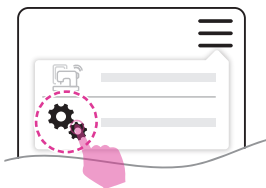


When the WiFi light turns on and starts flashing, it means that power is on and it has entered the base station setting function.



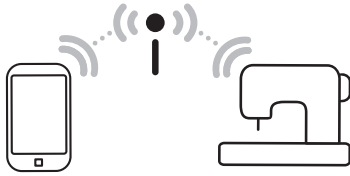
Please open the app on your portable device. (smart phone or tablet)

Press the connection button and find the "Station Mode Connection" option. Press on it and process the WiFi setting as instructed on screen.



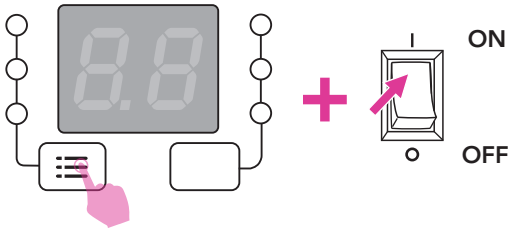
Note

If you wish to switch to another WiFi router or the embroidery machine has been changed, please press "Reset connection" and re-configure it.

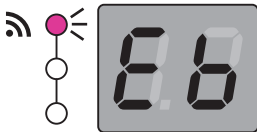


❖ Connection Mode B: Station

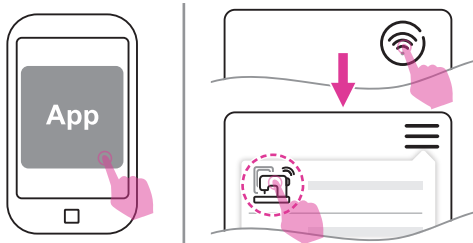
Please confirm that the "The first time to set up station mode connection" process has already been completed in order to enable the general connection mode successfully.



Press the group switch button and turn on the power at the same time. The embroidery unit will perform the reset action and the WiFi light will start flashing. The screen will light up and show "CN", which means it is connecting to the base station.

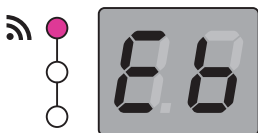


Once it has successfully connected to the base station, the screen will show "Eb" and the WiFi light will flash continuously, waiting to connect with the app.

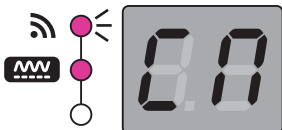


Please open the app on your portable device. (smart phone or tablet)

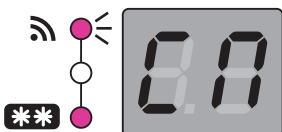
Press the connection button and find the "Station Mode Connection" option. Press on it and process the WiFi setting as instructed on screen.



Once it has successfully connected to the APP, the WiFi light will change to become constantly on, which means that the embroidery function can now be normally executed.



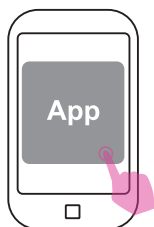
Note
If the WiFi light keeps flashing and A group patterns light existing, please check if the base station works properly and the SSID setting is correct.



If the WiFi light keeps flashing and B group patterns light existing, please check if the password is input correctly.

Step 3. Import/edit embroidery pattern

Start exerting your creativity through the app and edit exclusive embroidery creations.



The app provides users with the best embroidery experience; you can freely and easily import and create your favourite images through the portable device. Once editing is completed, it can be transmitted to the embroidery machine through WiFi to perform embroidering and monitor the embroidering through the screen.

Embroidery format packages supported for app importing includes: .zhs, .pes, .dst, .jef, .xxx, .hus, .exp, .pec, .pcs, .sew, .vip and .vp3.

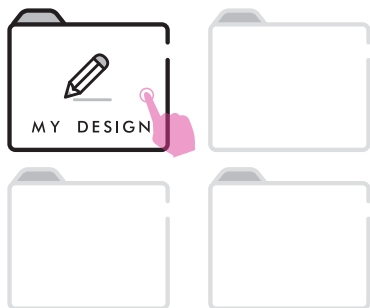


❖ Importing files on iOS

After connecting to an iOS device through iTunes, simply select the app and press add file to add the file.

❖ Importing files on Andriod

After physically connecting to a mobile phone, use the file manager software and locate the EverSewn/MyDesign folder on the internal storage, and place the files there.

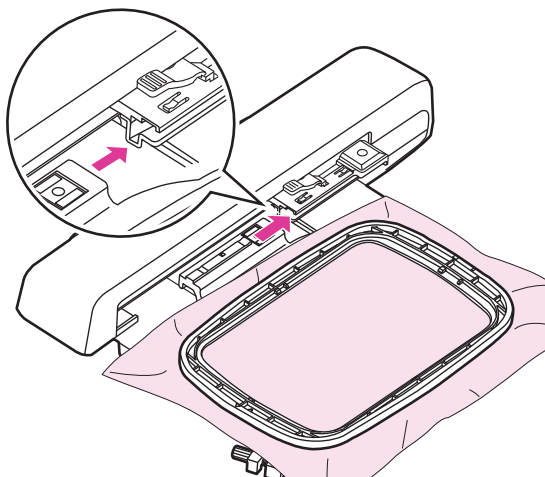


❖ Location of imported files on App

Open the app and locate the MY DESIGN folder to open the loaded image files.

Step 4. Install the embroidery hoop

After editing the embroidery image file, place the embroidery hoop with the corresponding size to perform the preparations for embroidering.



The embroidery hoop has two built-in sizes which are 120x80mm and 50x70mm, respectively. Select the corresponding size according to the image design.

Once the power is turned on, hoop the fabric in the selected embroidery hoop and use your finger to lightly raise the presser foot, slide the embroidery hoop into the embroidery unit to assemble them. When you hear a "click", it means that the embroidery hoop installation is completed.

Note

Please raise the presser foot while the embroidery hoop is resetting.

The reset action must be performed every time when a different size embroidery hoop is re-installed.

⚠ Attention

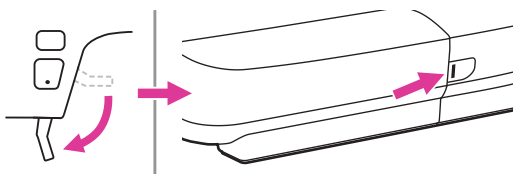
Please check the fabric thickness in advance, if the fabric is too thick, please don't use it for embroidery.

If there is space between the presser foot and the fabric, the fabric can be embroidered. If there is not space, do not embroider the fabric. Otherwise, the needle may break, resulting in injury.

Please be careful when sewing overlapping patterns as the needle might break due to the difficulty of fabric penetration.

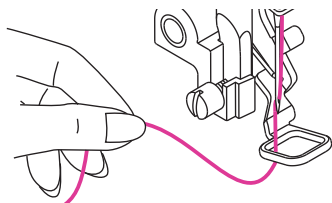
Step 5. Begin to embroider

Once preparation is completed, the embroidery file can be transmitted to the embroidery machine through the APP to start embroidering.



After the embroidery app has successfully transmitted the embroidery file to the embroidery machine, lower the presser foot and the status light will change from yellow to green, which means that everything is ready.

Please place the first color of threads to embroider according to the instruction on the app screen.



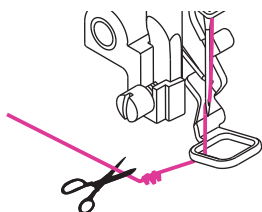
Note

Please refer to page "Threading the upper thread" chapter for more information.



Long press start/stop button to start embroidering.

Once all the color threads have been embroidered, your exclusive embroidery design has completed.



Note

After sewing 5 to 6 stitches, press the start/stop button again to stop the embroidering.

Raise the presser foot. Cut the thread at the beginning of the stitching.

Lower the presser foot. Press the start/stop button to continue embroidering.



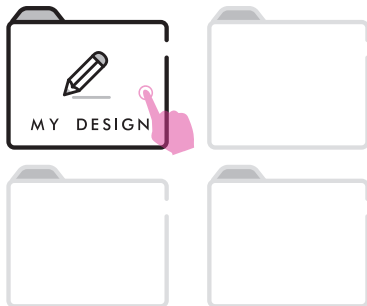
Note

When the thread needs to be changed, press start/stop button to stop embroidering, and press the thread cutter button to cut the thread.

Different colored threads will need to be changed several times according to the embroidery design, please place the corresponding colored threads in sequence.

When users pause the machine to change threads and the embroidery unit is too close to needle, please press the auto lock button. The embroidery hoop will be moved to center position for you to change thread easily.

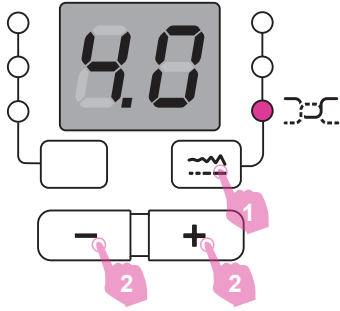
After the thread change is complete, long press the start button and the embroidery hoop will automatically return to the paused position. The machine will continue embroidering.



❖ Load a Design after interruption

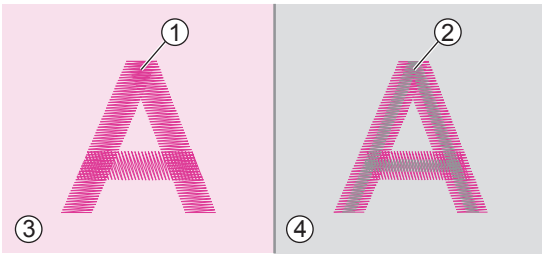
When you need to leave temporarily during embroidering, save current embroidery pattern first. The current numbers of stitches will be recorded in app. Then turn the embroidery machine power off and remove the embroidery unit apart.

When you re-start previous embroidery, connect the machine and open the app. Find the saved embroidery pattern in MY DESIGN folder and load it. After loading the file completely, you can continue to embroider from the previous point again.



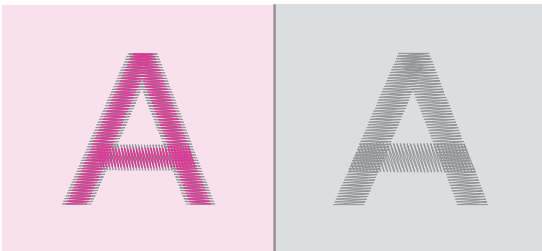
❖ Adjust the thread tension

- Proper setting of tension is important for good sewing. There is no single tension setting appropriate for all the stitch functions and fabrics.
- Basic thread tension setting: "4"
- Press the stitch adjustment button is set on stitch length/ stitch width/ thread tension mode. When the tension light is on, the upper thread tension can be adjusted.



The thread tension is correct when upper thread is just visible on back of the fabric.

- ① Upper thread
- ② Bobbin thread
- ③ Right side
- ④ Wrong side



When the bobbin thread is visible on the front of the fabric, the thread tension is too tight for embroidering. To reduce the tension, press the "-" button.

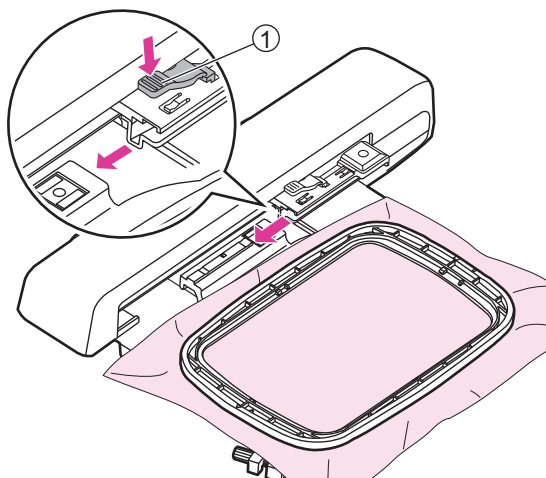


When the upper thread has slack, the thread tension is too loose for embroidering. To increase the tension, press the "+" button.

Note

Please use the same fabric of the project and do a sewing test in advance.

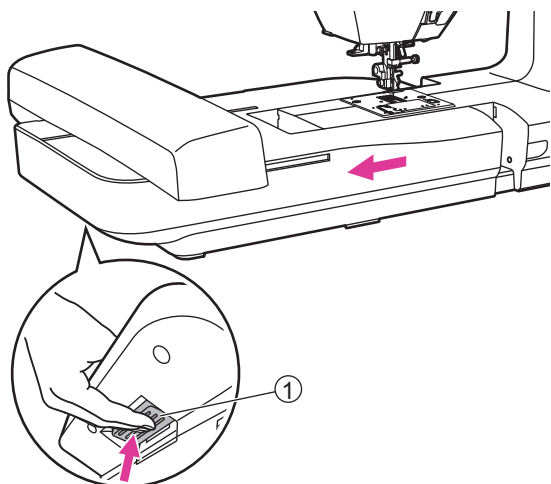
Step 6. Back to sewing mode



❖ Remove embroidery hoop

Raise the presser foot and confirm the needle is at the highest position. And then press the hoop-securing lever to pull the embroidery hoop backward to remove the embroidery hoop.

① Hoop-securing lever



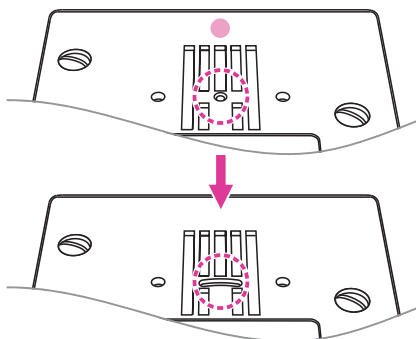
❖ Remove embroidery unit

Hold the embroidery unit and press the release button, then slide the embroidery unit to the left to move out it.

① Release button

Note

Please firstly remove the embroidery hoop before removing the embroidery unit.



Replacing the straight stitch plate to normal needle plate.

Replacing the needle and presser foot.

Note

For more details please see the digital version of the manual located on the DVD that was included with the machine or can be found in the APP.

App system requirement: support WiFi 802.11b/g/n (2.4G HZ).

SEWING+EMBROIDERY COMBO

